



CATEGORY  
**ELECTRICAL  
FITTINGS**

AMMO ITEM #

**100-90LTNM**

Company: \_\_\_\_\_

Job: \_\_\_\_\_ #Item: \_\_\_\_\_

Notes: \_\_\_\_\_

# 1" 90° Gray Nylon Liquidtight Connector



## APPLICATION

- For use in wet and dry locations
- Used for conduit size from 3/8" to 2"

## FEATURES

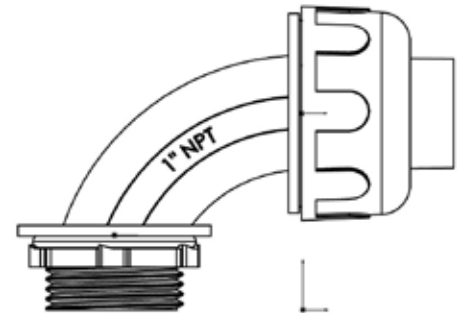
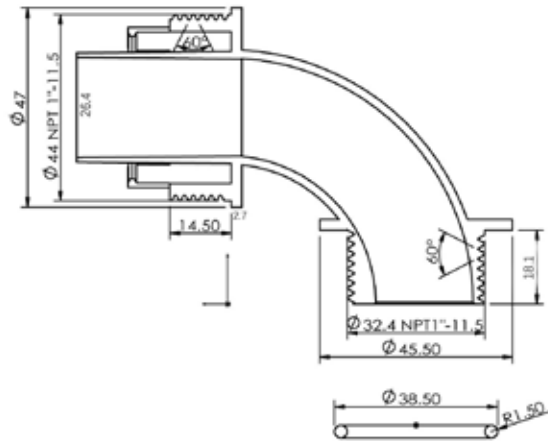
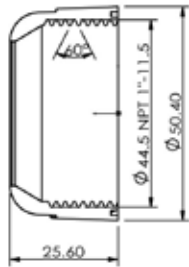
- Liquidtight, raintight, oiltight
- For flexible non-metallic liquidtight tubing
- Easy assembly avoids having to remove the compression nut
- 90° angle

## MATERIAL

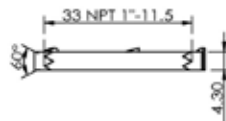
- Body: Nylon
- Cover: Nylon
- O ring: Rubber
- Locknut: Steel

## PACKAGING

- Weight: \_\_\_\_\_ 63.0 g
- Inner: \_\_\_\_\_ 5
- Master: \_\_\_\_\_ 50
- UPC Number: \_\_\_\_\_ 837654088739



\*MEASUREMENTS in mm



## ELECTRICAL FITTINGS



400 MARTIN LUTHER KING JR WAY, BRIDGETON, NJ 08302  
PHONE : (718).338.1851 FAX : (718).228.1851  
orders@ammoelectric.com

www.ammoelectric.com