



CATEGORY
ELECTRICAL
FITTINGS

AMMO ITEM #

100LTNM-SC

Company: _____
 Job: _____ #Item: _____
 Notes: _____

Nylon Liquid Tight Non-Metallic Connector



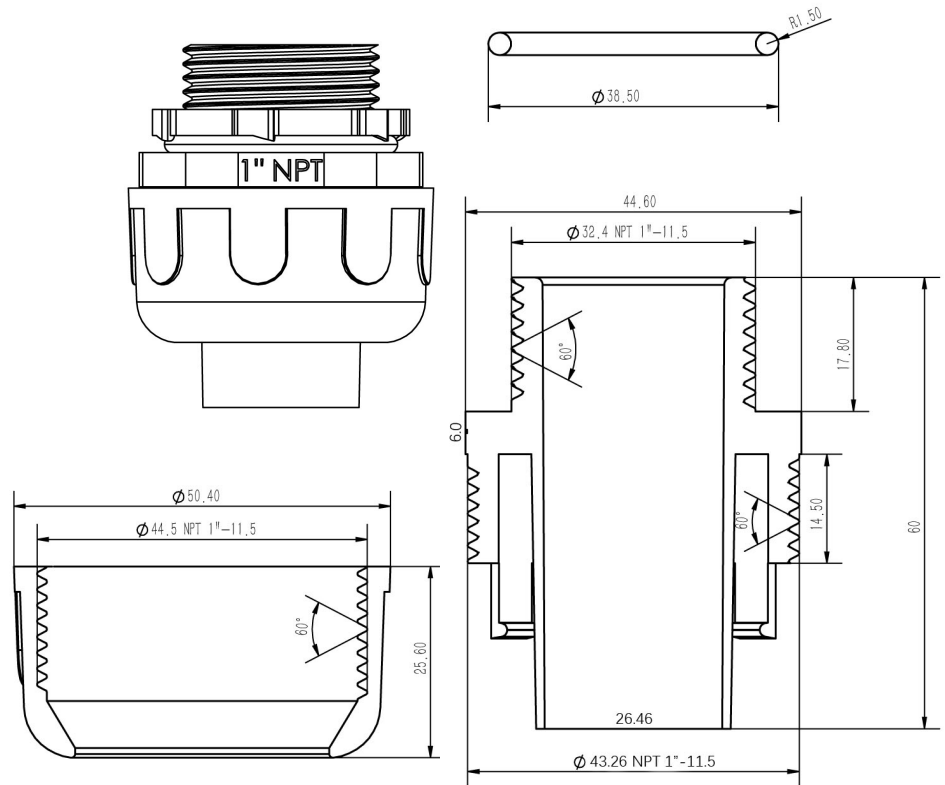
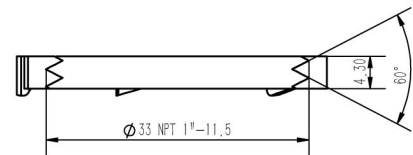
FEATURES

- Liquidtight, raintight, oiltight
- For flexible non-metallic liquidtight tubing
- Easy assembly avoids having to remove the compression nut

APPLICATIONS

For use in wet and dry locations

AMMO	SIZE	INNER	MASTER	WEIGHT (g)	UPC
100LTNM-SC	1"	5	50	51	837654088678



*Measurements in mm

ELECTRICAL FITTINGS



400 MARTIN LUTHER KING JR WAY, BRIDGETON, NJ 08302
 PHONE : (718).338.1851 FAX : (718).228.1851
 orders@ammoelectric.com

www.ammoelectric.com