



CATEGORY  
**ELECTRICAL  
FITTINGS**

AMMO ITEM #

**125-90LTNM**

Company: \_\_\_\_\_

Job: \_\_\_\_\_ #Item: \_\_\_\_\_

Notes: \_\_\_\_\_

# 1-1/4" 90° Gray Nylon Liquidtight Connector



### APPLICATION

- For use in wet and dry locations
- Used for conduit size from 3/8" to 2"

### FEATURES

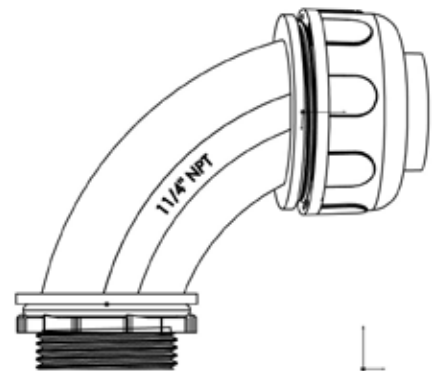
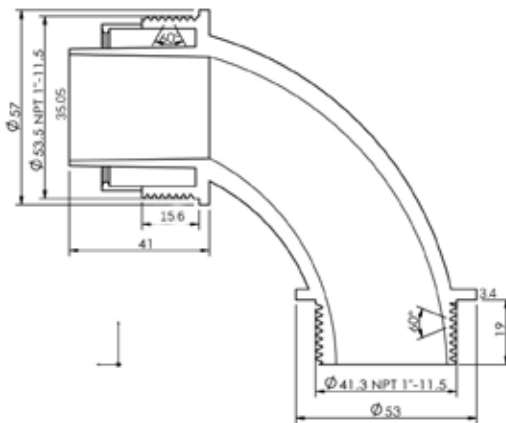
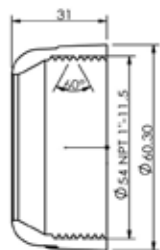
- Liquidtight, raintight, oiltight
- For flexible non-metallic liquidtight tubing
- Easy assembly avoids having to remove the compression nut
- 90° angle

### MATERIAL

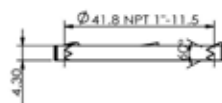
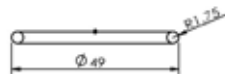
- Body: Nylon
- Cover: Nylon
- O ring: Rubber
- Locknut: Steel

### PACKAGING

- Weight: \_\_\_\_\_ 121.0 g
- Inner: \_\_\_\_\_ 2
- Master: \_\_\_\_\_ 20
- UPC Number: \_\_\_\_\_ 837654088746



\*MEASUREMENTS in mm



## ELECTRICAL FITTINGS



400 MARTIN LUTHER KING JR WAY, BRIDGETON, NJ 08302  
PHONE : (718).338.1851 FAX : (718).228.1851  
orders@ammoelectric.com

www.ammoelectric.com