



CATEGORY  
ELECTRICAL  
FITTINGS

AMMO ITEM #

38LTNM-SC

Company: \_\_\_\_\_  
Job: \_\_\_\_\_ #Item: \_\_\_\_\_  
Notes: \_\_\_\_\_

# Nylon Liquid Tight Non-Metallic Connector



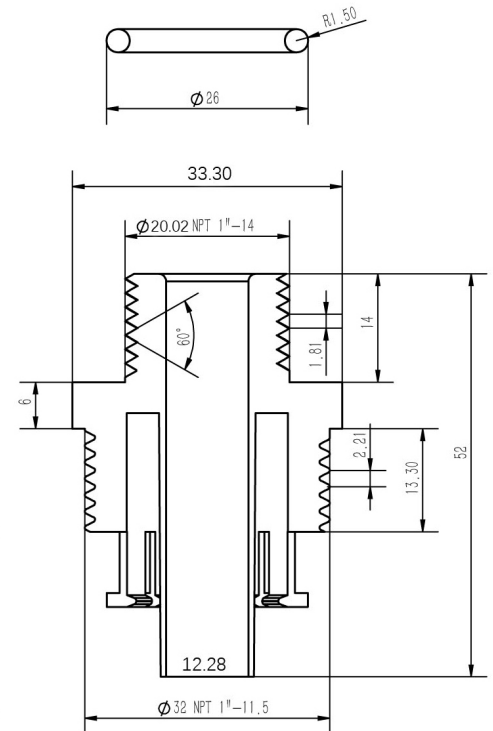
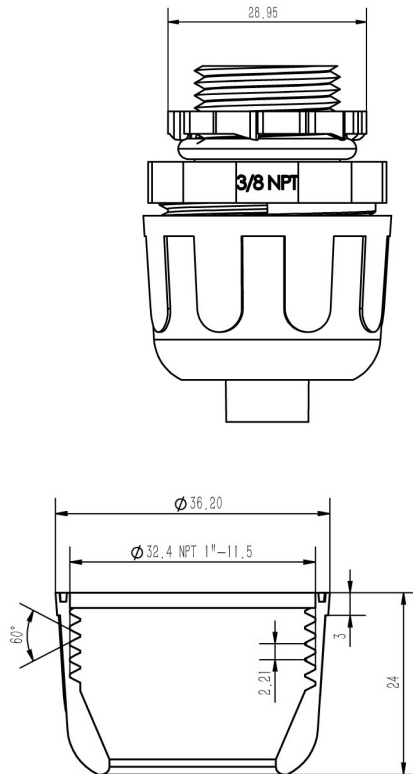
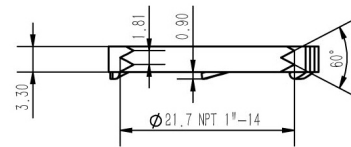
## FEATURES

- Liquidtight, raintight, oiltight
- For flexible non-metallic liquidtight tubing
- Easy assembly avoids having to remove the compression nut

## APPLICATION

For use in wet and dry locations

AMMO	SIZE	INNER	MASTER	WEIGHT (g)	UPC
38LTNM-SC	3/8"	25	100	28	837654088654



\*Measurements in mm

## ELECTRICAL FITTINGS



400 MARTIN LUTHER KING JR WAY, BRIDGETON, NJ 08302  
PHONE : (718).338.1851 FAX : (718).228.1851  
orders@ammoelectric.com

www.ammoelectric.com