



CATEGORY
**ELECTRICAL
FITTINGS**

AMMO ITEM #

50-90LTNM

Company: _____

Job: _____ #Item: _____

Notes: _____

1/2" 90° Gray Nylon Liquidtight Connector



APPLICATION

- For use in wet and dry locations
- Used for conduit size from 3/8" to 2"

FEATURES

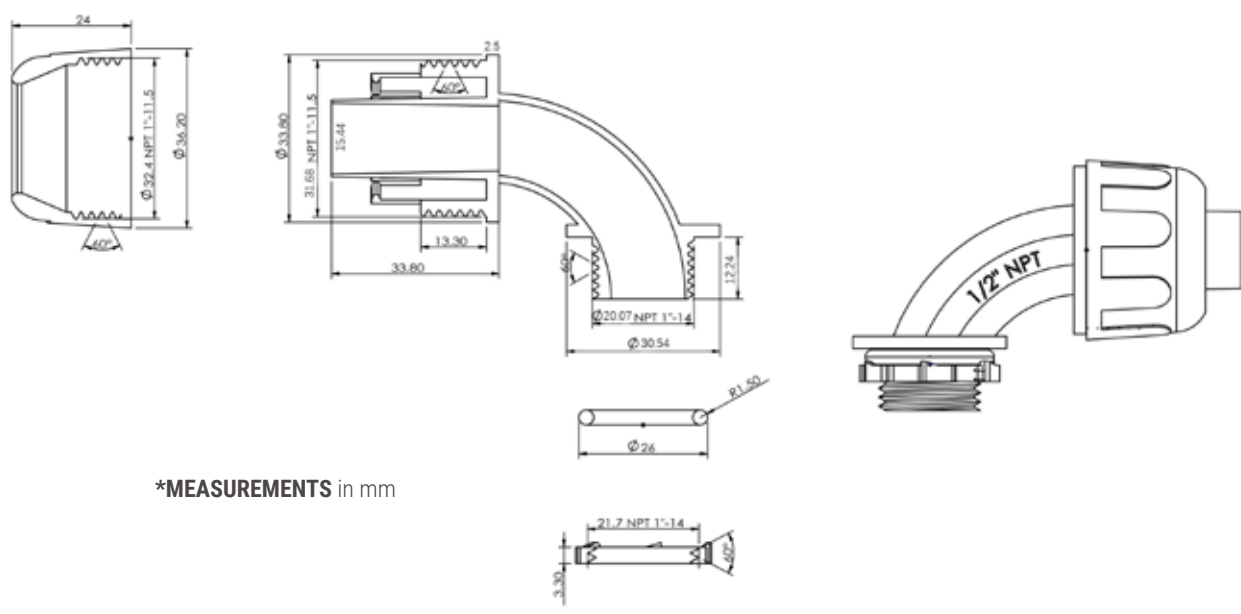
- Liquidtight, raintight, oiltight
- For flexible non-metallic liquidtight tubing
- Easy assembly avoids having to remove the compression nut
- 90° angle

MATERIAL

- Body: Nylon
- Cover: Nylon
- O ring: Rubber
- Locknut: Steel

PACKAGING

- Weight: _____ 28.0 g
- Inner: _____ 10
- Master: _____ 100
- UPC Number: _____ 837654088715



ELECTRICAL FITTINGS



400 MARTIN LUTHER KING JR WAY, BRIDGETON, NJ 08302
PHONE : (718).338.1851 FAX : (718).228.1851
orders@ammoelectric.com

www.ammoelectric.com