



CATEGORY
**ELECTRICAL
FITTINGS**

AMMO ITEM #

50LTNM-SC

Company: _____
Job: _____ #Item: _____
Notes: _____

Nylon Liquid Tight Non-Metallic Connector



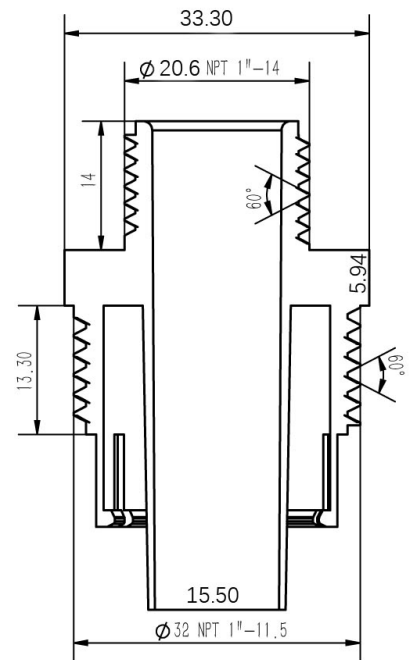
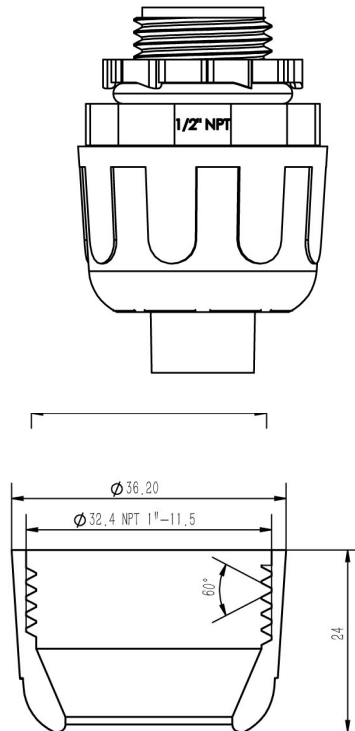
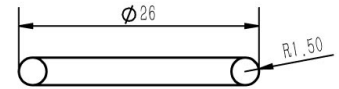
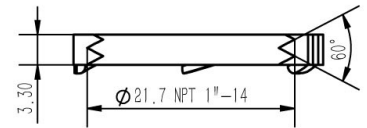
FEATURES

- Liquidtight, raintight, oiltight
- For flexible non-metallic liquidtight tubing
- Easy assembly avoids having to remove the compression nut

APPLICATIONS

For use in wet and dry locations

AMMO	SIZE	INNER	MASTER	WEIGHT (g)	UPC
50LTNM-SC	1/2"	25	100	26	837654085479



*Measurements in mm

ELECTRICAL FITTINGS



400 MARTIN LUTHER KING JR WAY, BRIDGETON, NJ 08302
PHONE : (718).338.1851 FAX : (718).228.1851
orders@ammoelectric.com

www.ammoelectric.com