



CATEGORY  
**ELECTRICAL  
FITTINGS**

AMMO ITEM #

**75LTNM-SC**

Company: \_\_\_\_\_  
Job: \_\_\_\_\_ #Item: \_\_\_\_\_  
Notes: \_\_\_\_\_

# Nylon Liquid Tight Non-Metallic Connector



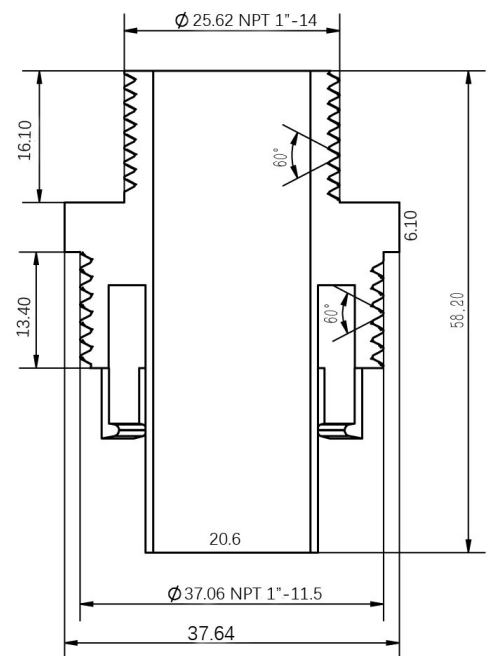
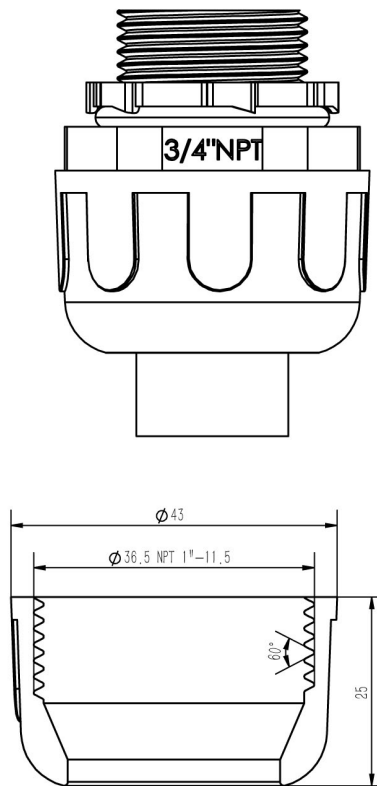
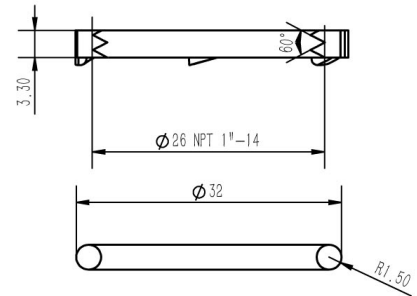
## FEATURES

- Liquidtight, raintight, oiltight
- For flexible non-metallic liquidtight tubing
- Easy assembly avoids having to remove the compression nut

## APPLICATIONS

For use in wet and dry locations

AMMO	SIZE	INNER	MASTER	WEIGHT (g)	UPC
75LTNM-SC	3/4"	10	100	35	837654088661



\*Measurements in mm

## ELECTRICAL FITTINGS



400 MARTIN LUTHER KING JR WAY, BRIDGETON, NJ 08302  
PHONE : (718).338.1851 FAX : (718).228.1851  
orders@ammoelectric.com

www.ammoelectric.com