



CATEGORY

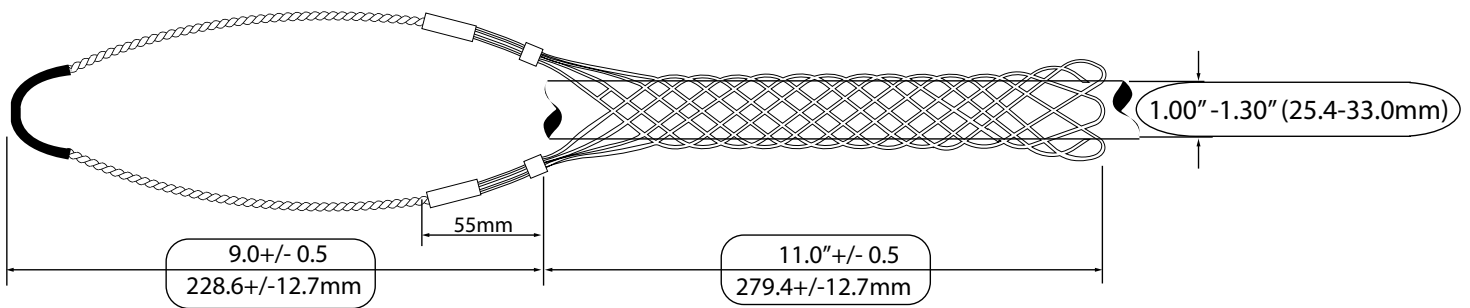
LINE
SUPPLIES

AMMO ITEM #

AR-BDSG

Company: _____
Job: _____ #Item: _____
Notes: _____

Support Grip Wire Cable Drop, Single Eye, Eye Length 9"



FEATURES

- Provide support for flexible cord or bus drop cable at bus duct
- Used for absorb additional strain from vibration, expansion, contraction and flexing
- Stainless steel wire mesh is for indoor or outdoor use
- Easy installation
- UL & CSA, CE certified

CLASSIFICATION

- Material number: _____ 6008339
- Status: _____ Active

DESCRIPTION

Support grips, bus drop, single eye closed mesh, stainless steel, cable range 1.0-1.3"

DETAILS

- Cable Range: _____ 1.0 -1.3 in / 25.4-33.02 mm
- Mesh Length: _____ 11.0 in / 279.4 mm
- Bale Length: _____ 9.0 in / 228.6 mm
- Approx. Break Strength: _____ 1900 lbs / 861.8 kg
- Working Load: _____ 190 lbs / 86.2 kg (Safety Factor 10*)



CERTIFICATIONS

- ISO 9001:2015
- Designed, manufactured and/or distributed under this quality management system
- RoHS Compliant
- UL & CSA Compliant
- CE Compliant

PACKAGING

- Weight: _____ 50 g
- PKG: _____ 1
- UPC number: _____ 837654112380

LINE SUPPLIES



400 MARTIN LUTHER KING JR WAY, BRIDGETON, NJ 08302
PHONE : (718).338.1851 FAX : (718).228.1851
orders@ammoelectric.com

www.ammoelectric.com