



CATEGORY
**ELECTRICAL
BOXES**

AMMO ITEM #

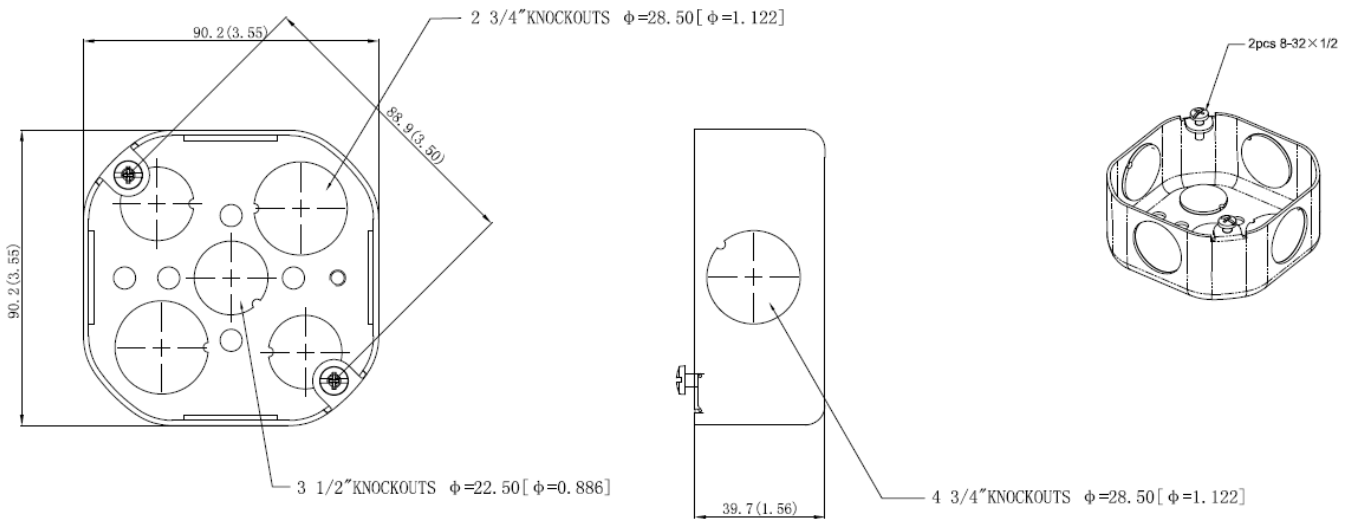
AR126

Company: _____
Job: _____ #Item: _____
Notes: _____

4" Octagon Box, 1-1/2" Deep Drawn with Conduit KO's, Raised Ground



AMMO#	SIDE KO	BOTTOM KO	WEIGHT	PKG	UPC
AR126	4-3/4"	2X1/2", 2-3/4"	216 g	50	837654062487



ELECTRICAL BOXES & COVERS



400 MARTIN LUTHER KING JR WAY, BRIDGETON, NJ 08302
PHONE : (718).338.1851 FAX : (718).228.1851
orders@ammoelectric.com

www.ammoelectric.com