



CATEGORY  
**ELECTRICAL  
BOXES**

AMMO ITEM #

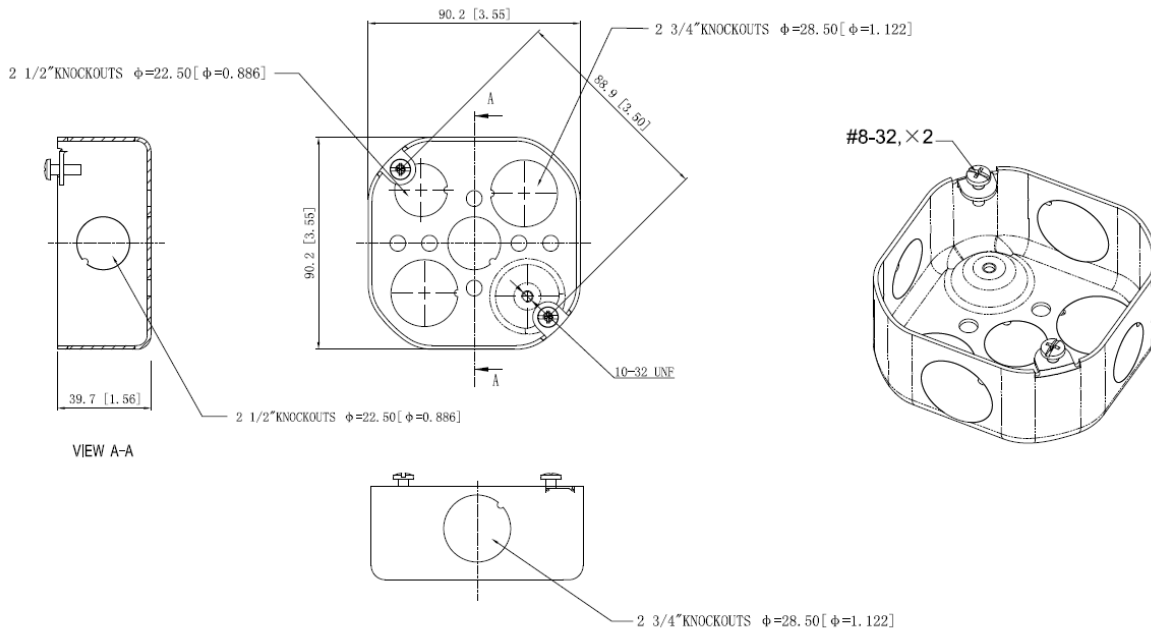
**AR127**

Company: \_\_\_\_\_  
Job: \_\_\_\_\_ #Item: \_\_\_\_\_  
Notes: \_\_\_\_\_

# 4" Octagon Box, 1-1/2" Deep Drawn with Conduit KO's, Raised Ground



AMMO#	SIDE KO	BOTTOM KO	WEIGHT	PKG	UPC
AR127	2-1/2", 2-3/4"	2-1/2", 2-3/4"	216 g	50	837654062425



## ELECTRICAL BOXES & COVERS



400 MARTIN LUTHER KING JR WAY, BRIDGETON, NJ 08302  
PHONE : (718).338.1851 FAX : (718).228.1851  
orders@ammoelectric.com

www.ammoelectric.com