



CATEGORY
**ELECTRICAL
 BOXES**
 AMMO ITEM #
AR152

Company: _____
 Job: _____ #Item: _____
 Notes: _____

4" Octagon Boxes and Extension Rings 1-1/2" Deep, 15.5 Cu In Drawn



APPLICATION

Octagon Boxes are used in ceiling or wall for the installation of lighting fixtures

FEATURE

Offers a variety of labor saving mounting brackets that allow for easy positioning of box along studs or joists

MATERIAL / FINISH

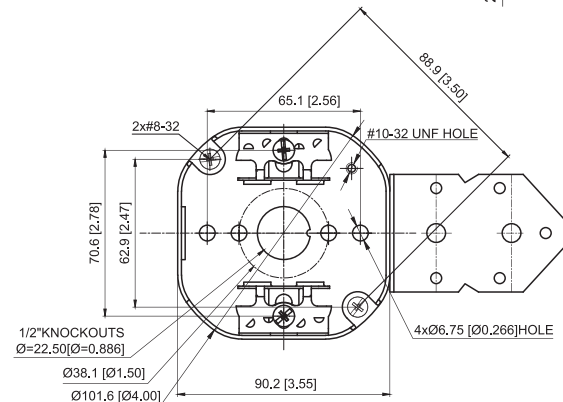
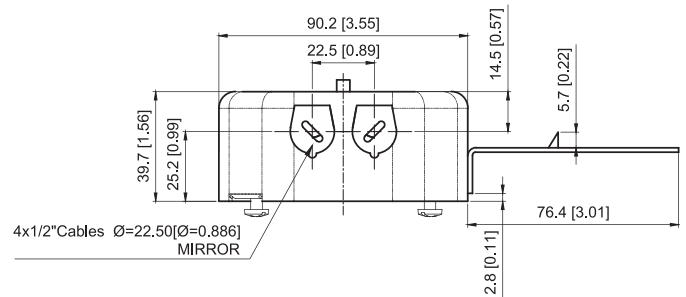
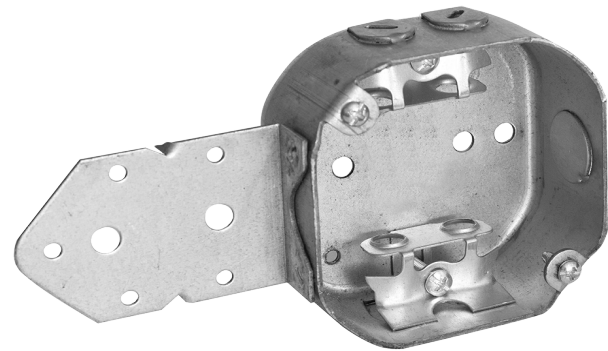
- Galvanized steel
- Pre galvanized

PRODUCT SPECIFICATIONS

- Length/Depth (in.): _____ 4
- Width (in.): _____ 4
- Height (in.): _____ 1.5
- Wt. Ea. (Lbs.): _____ 0.604
- Package Type: _____ Loose
- Package Contents: _____ 1
- Product UPC-A Labeled: _____ Yes

PACKAGING

- Weight: _____ 274 g
- PKG: _____ 50
- UPC Number: _____ 837654067451



ELECTRICAL BOXES & COVERS



400 MARTIN LUTHER KING JR WAY, BRIDGETON, NJ 08302
 PHONE : (718).338.1851 FAX : (718).228.1851
 orders@ammoelectric.com

www.ammoelectric.com