



CATEGORY

WEATHERPROOF

AMMO ITEM #

AR1C-DH-W

Company: \_\_\_\_\_  
 Job: \_\_\_\_\_ #Item: \_\_\_\_\_  
 Notes: \_\_\_\_\_

# Weatherproof Box Covers



### APPLICATIONS

Covers for cast metal flush device boxes suitable for use in wet locations

### FEATURES

- Duplex / Comb, Device - horizontal
- Include gasket and screw

### MATERIAL

- Cover plate: die cast aluminum
- Cover: die cast aluminum
- Spring: formed spring steel

### FINISH

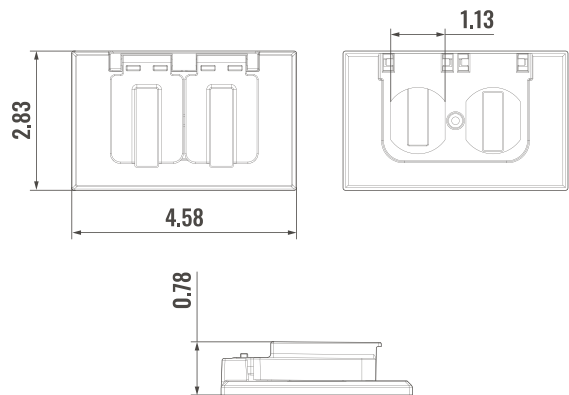
White

### CERTIFICATION

UL Standard: 514A

### PACKAGING

- Weight: \_\_\_\_\_ 78 g
- PKG: \_\_\_\_\_ 50
- UPC Number: \_\_\_\_\_ 837654089347



MEASUREMENTS in inches

WEATHERPROOF



400 MARTIN LUTHER KING JR WAY, BRIDGETON, NJ 08302  
 PHONE : (718).338.1851 FAX : (718).228.1851  
 orders@ammoelectric.com

www.ammoelectric.com