



CATEGORY

WEATHERPROOF

AMMO ITEM #

AR1C-DH

Company: _____
 Job: _____ #Item: _____
 Notes: _____

Weatherproof Box Covers



APPLICATIONS

Covers for cast metal flush device boxes suitable for use in wet locations

FEATURES

- Duplex / Comb, Device - horizontal
- Include gasket and screw

MATERIAL

- Cover plate: die cast aluminum
- Cover: die cast aluminum
- Spring: formed spring steel

FINISH

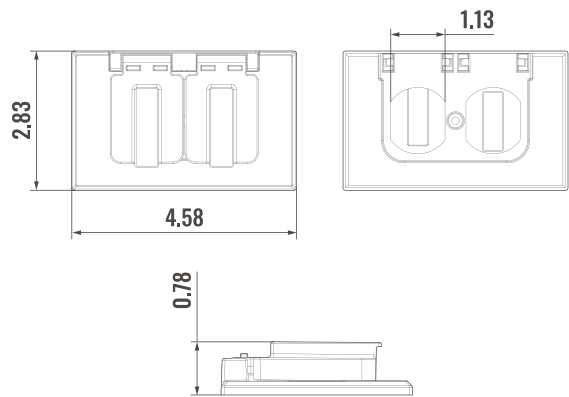
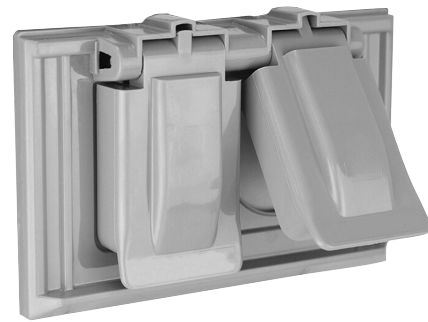
Gray

CERTIFICATION

UL Standard: 514A

PACKAGING

- Weight: _____ 78 g
- PKG: _____ 50
- UPC Number: _____ 837654083406



MEASUREMENTS in inches

WEATHERPROOF



400 MARTIN LUTHER KING JR WAY, BRIDGETON, NJ 08302
 PHONE : (718).338.1851 FAX : (718).228.1851
 orders@ammoelectric.com

www.ammoelectric.com