



CATEGORY

WEATHERPROOF

AMMO ITEM #

AR1C-DV-W

Company: \_\_\_\_\_  
 Job: \_\_\_\_\_ #Item: \_\_\_\_\_  
 Notes: \_\_\_\_\_

# Weatherproof Box Covers



## APPLICATIONS

Covers for cast metal flush device boxes suitable for use in wet locations

## FEATURES

- Duplex / Comb, Device - vertical
- Include gasket and screw

## MATERIAL

- Cover plate: die cast zinc
- Cover: die cast zinc
- Spring: formed spring steel

## FINISH

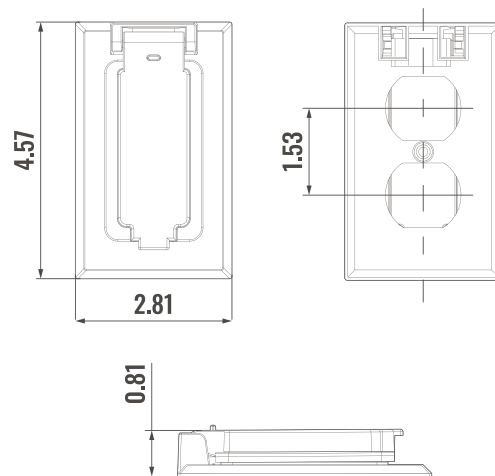
White

## CERTIFICATION

UL Standard: 514A

## PACKAGING

- Weight: \_\_\_\_\_ 153 g
- PKG: \_\_\_\_\_ 50
- UPC Number: \_\_\_\_\_ 837654089361



MEASUREMENTS in inches

WEATHERPROOF



400 MARTIN LUTHER KING JR WAY, BRIDGETON, NJ 08302  
 PHONE : (718).338.1851 FAX : (718).228.1851  
 orders@ammoelectric.com

www.ammoelectric.com