



CATEGORY

WEATHERPROOF

AMMO ITEM #

AR1C-GV-W

Company: _____

Job: _____ #Item: _____

Notes: _____

One Gang Device Cover Weatherproof



APPLICATION

Covers for cast metal flush device boxes suitable for use in wet locations

FEATURES

- GFCI - vertical
- Include gasket and screws

MATERIAL

- Cover plate: die cast zinc
- Cover: die cast zinc
- Spring: formed spring steel

FINISH

White

DIMENSIONS

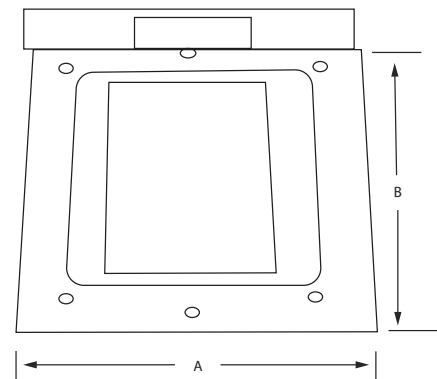
- A: _____ 2.81 in
- B: _____ 4.56 in

CERTIFICATION

UL Standard: 514A

PACKAGING

- Weight: _____ 197 g
- PKG: _____ 50
- UPC Number: _____ 837654089408



WEATHERPROOF



400 MARTIN LUTHER KING JR WAY, BRIDGETON, NJ 08302
PHONE : (718).338.1851 FAX : (718).228.1851
orders@ammoelectric.com

www.ammoelectric.com