



CATEGORY
**ELECTRICAL
 BOXES**

AMMO ITEM #

AR272

Company: _____
 Job: _____ #Item: _____
 Notes: _____



Concrete Rings 3" Deep

APPLICATIONS

- Concrete rings are used with poured deck (floor) in highrise construction
- These boxes are installed on wooden or steel concrete forms. After the forms are removed, the box is flush with the concrete

PRODUCT FEATURES

- Flat sides provide excellent contact for locknuts
- External ears are used to nail the ring to the wood form
- Top cover is removable for before-pour work
- Ears on inside of box are for fixtures
- Waxed fixture ears prevent concrete from interfering with the threads
- A variety of covers are available

GENERAL PRODUCT INFORMATION

Wiring System: _____ Conduit

RECOMMENDED MAX LOAD

- Ceiling Fan (Dynamic) Lbs.: ___ No
- Fixture (Static) Lbs.: _____ 50

CONFIGURATION

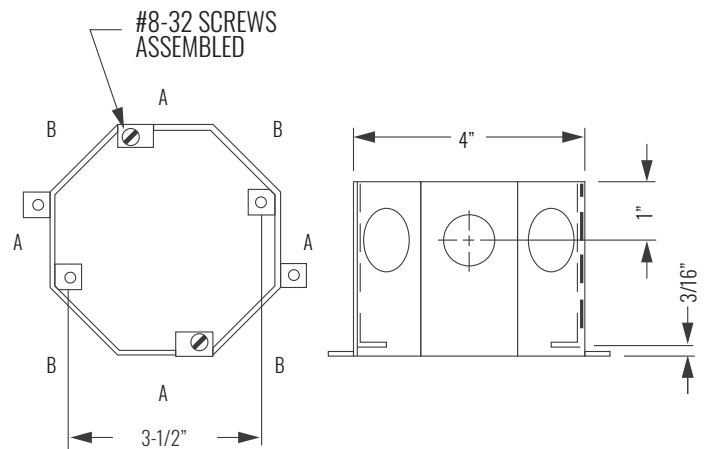
- Drawn or Welded: _____ Welded
- Side Knockout(s): _____ Single Row KO's of 1/2 in. and 3/4 in.

PRODUCT MEASUREMENTS

- Depth: _____ 3 in.
- Cubic Inches (cm3): _____ 37.0 (606.3)
- Wt. Ea. (Lbs.): _____ 0.786
- Product Length (in.): _____ 3.00
- Product Width (in.): _____ 4.00
- Product Height (in.): _____ 4.00

PACKAGING

- PKG: _____ 25
- UPC Number: _____ 837654066621



ELECTRICAL BOXES & COVERS



400 MARTIN LUTHER KING JR WAY, BRIDGETON, NJ 08302
 PHONE : (718).338.1851 FAX : (718).228.1851
 orders@ammoelectric.com

www.ammoelectric.com