



CATEGORY  
**ELECTRICAL  
 BOXES**  
 AMMO ITEM #  
**AR277**

Company: \_\_\_\_\_  
 Job: \_\_\_\_\_ #Item: \_\_\_\_\_  
 Notes: \_\_\_\_\_

# Concrete Rings 3" Deep



### APPLICATIONS

- Concrete rings are used with poured deck (floor) in high-rise construction
- These boxes are installed on wooden or steel concrete forms
- After the forms are removed, the box is flush with the concrete

### PRODUCT FEATURES

- Flat sides provide excellent contact for locknuts
- External ears are used to nail the ring to the wood form
- Top cover is removable for before-pour work
- Ears on inside of box are for fixtures
- Waxed fixture ears prevent concrete from interfering with the threads
- A variety of covers are available
- Material: Steel

### GENERAL PRODUCT INFORMATION

Wiring System: \_\_\_\_\_ Conduit

### RECOMMENDED MAX LOAD

- Ceiling Fan (Dynamic) Lbs.: \_\_\_\_\_ No
- Fixture (Static) Lbs.: \_\_\_\_\_ 50

### CONFIGURATION

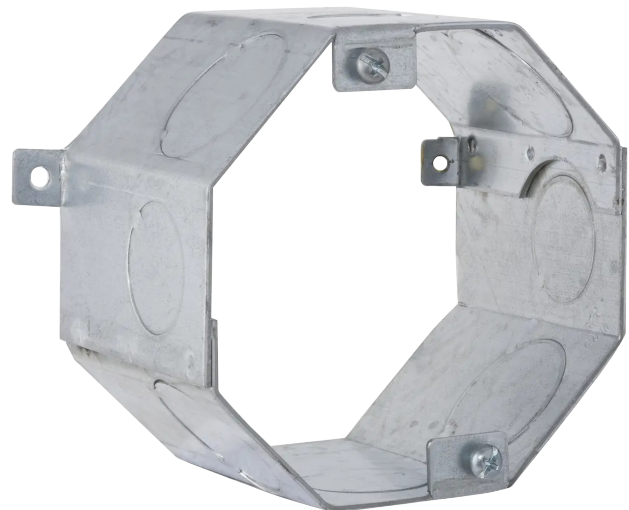
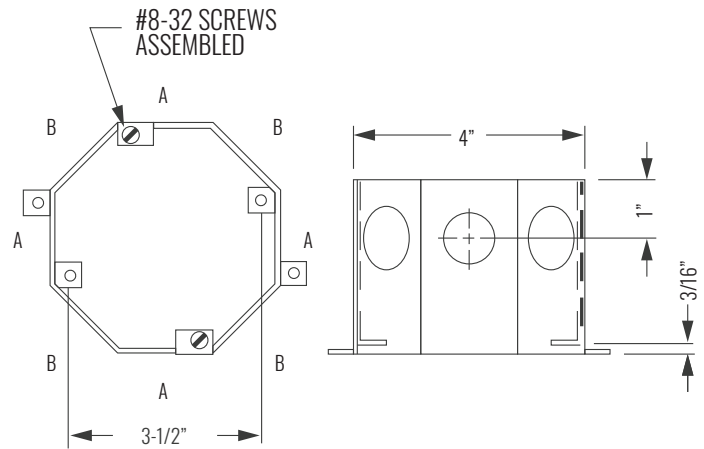
- Drawn or Welded: \_\_\_\_\_ Welded
- Side Knockout(s): \_\_\_\_\_ Single Row KO's of 3/4 in. and 1 in.

### PRODUCT MEASUREMENTS

- Depth: \_\_\_\_\_ 3 in.
- Cubic Inches (cm3): \_\_\_\_\_ 37.0 (606.3)
- Wt. Ea. (Lbs.): \_\_\_\_\_ 0.790
- Product Length (in.): \_\_\_\_\_ 3.00
- Product Width (in.): \_\_\_\_\_ 4.00
- Product Height (in.): \_\_\_\_\_ 4.00

### PACKAGING

- PKG: \_\_\_\_\_ 25
- UPC Number: \_\_\_\_\_ 837654087534



## ELECTRICAL BOXES & COVERS



400 MARTIN LUTHER KING JR WAY, BRIDGETON, NJ 08302  
 PHONE : (718).338.1851 FAX : (718).228.1851  
 orders@ammoelectric.com

www.ammoelectric.com