



CATEGORY
**ELECTRICAL
BOXES**

AMMO ITEM #

AR2BC

Company: _____

Job: _____ #Item: _____

Notes: _____

Blank Covers



APPLICATIONS

- Plates for flush-mounted wiring devices
- Wet Location Use
- No opening (Blank)

FEATURES

- Gang Black Cover
- Include Gasket Screws

MATERIAL / FINISH

- Aluminum
- Natural

CONFIGURATION

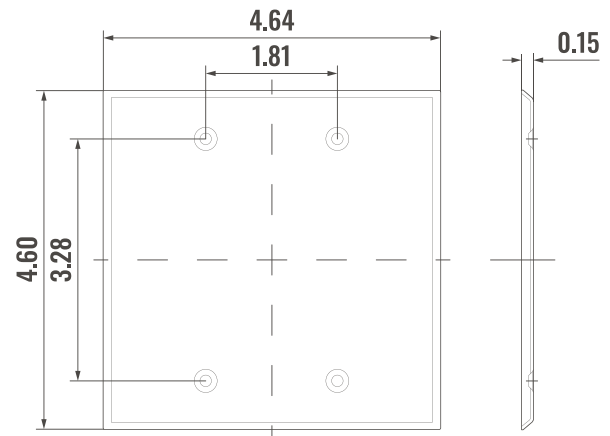
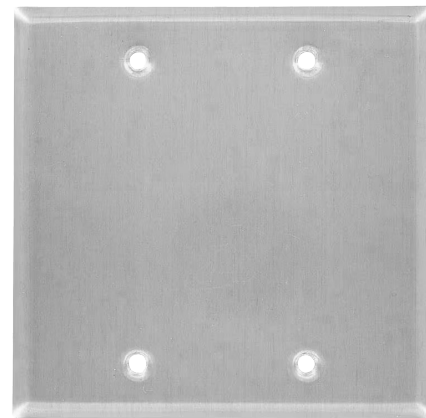
Gangs: _____ 2

CERTIFICATIONS

- UL Standard: 514D
- CSA C22.2 NO. 42.1-13

PACKAGING

- Weight: _____ 46 g
- PKG: _____ 50
- UPC Number: _____ 837654067291



MEASUREMENTS in inches

ELECTRICAL BOXES & COVERS



400 MARTIN LUTHER KING JR WAY, BRIDGETON, NJ 08302
PHONE : (718).338.1851 FAX : (718).228.1851
orders@ammoelectric.com

www.ammoelectric.com