



CATEGORY

WEATHERPROOF

AMMO ITEM #

AR3C-3D

Company: _____

Job: _____ #Item: _____

Notes: _____

Weatherproof Box Covers



APPLICATIONS

- Wet location use
- Wet location use when cover closed

FEATURES

- Three duplex
- Include gasket and screw

MATERIAL

- Base: formed of sheet aluminum
- Cover: zinc
- Spring: stainless steel

FINISH

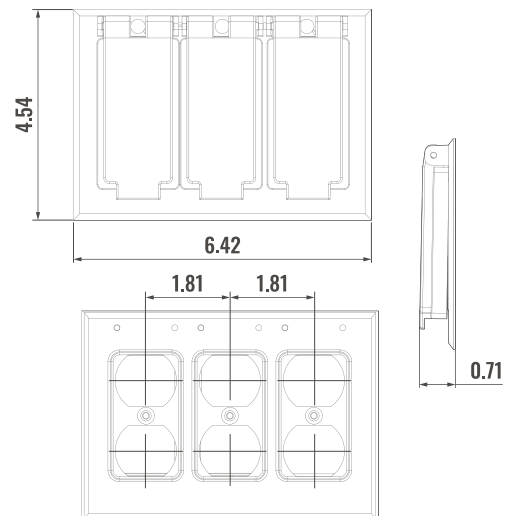
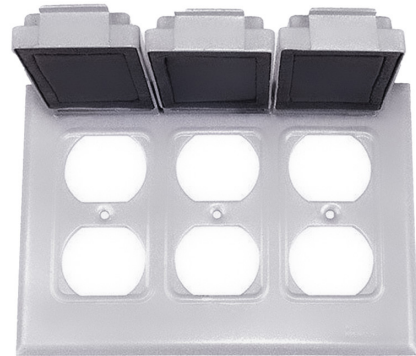
Gray

CERTIFICATION

- UL514D
- CSA C22.2, No. 42.1-00

PACKAGING

- Weight: _____ 333 g
- PKG: _____ 20
- UPC Number: _____ 837654089590



MEASUREMENTS in inches

WEATHERPROOF



400 MARTIN LUTHER KING JR WAY, BRIDGETON, NJ 08302
 PHONE : (718).338.1851 FAX : (718).228.1851
 orders@ammoelectric.com

www.ammoelectric.com