



CATEGORY

WEATHERPROOF

AMMO ITEM #

AR3C-3S

Company: \_\_\_\_\_  
 Job: \_\_\_\_\_ #Item: \_\_\_\_\_  
 Notes: \_\_\_\_\_

# Weatherproof Box Covers



## APPLICATIONS

- Wet location use
- Wet location use when cover closed

## FEATURES

- Three switches or S/R-1.41 in diameter
- Include gasket and screw

## MATERIAL

- Base: formed of sheet aluminum
- Cover: zinc
- Spring: stainless steel

## FINISH

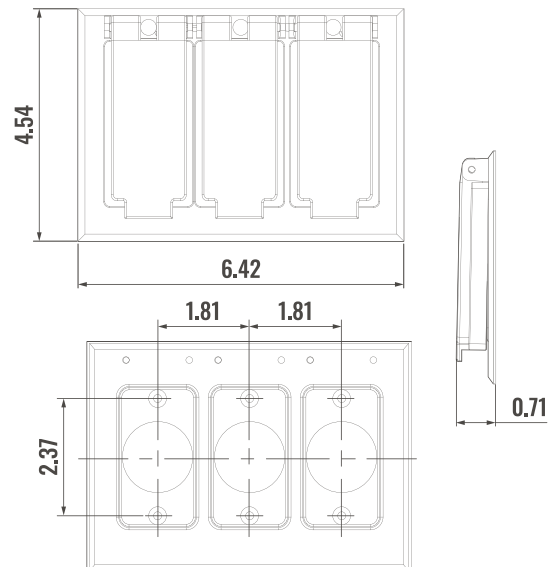
Gray

## CERTIFICATION

- UL514D
- CSA C22.2, No. 42.1-00

## PACKAGING

- Weight: \_\_\_\_\_ 337 g
- PKG: \_\_\_\_\_ 20
- UPC Number: \_\_\_\_\_ 837654089613



MEASUREMENTS in inches

WEATHERPROOF



400 MARTIN LUTHER KING JR WAY, BRIDGETON, NJ 08302  
 PHONE : (718).338.1851 FAX : (718).228.1851  
 orders@ammoelectric.com

www.ammoelectric.com