



CATEGORY
**ELECTRICAL
BOXES**

AMMO ITEM #

AR400

Company: _____

Job: _____ #Item: _____

Notes: _____

3"X 2" Switch Boxes - 1-1/2" Deep With Conduit KO'S Plaster Ears



APPLICATIONS

Switch boxes are used to house wiring devices such as switches and outlets

PRODUCT FEATURES

- Gangable switch boxes offer the option of constructing a box to hold two or more devices
- Plaster ears allow a box to be used in 'old' applications
- Material: Steel

COMPLIANCES

Single gang, two gang, 4 in. square, and single gang gangable UL listed steel boxes are acceptable for use in 2hour fire rated walls.

FIRERESISTANCE

Acceptable for use in 2-hour rated walls

GENERAL PRODUCT INFORMATION

Wiring System: Conduit

CONFIGURATION

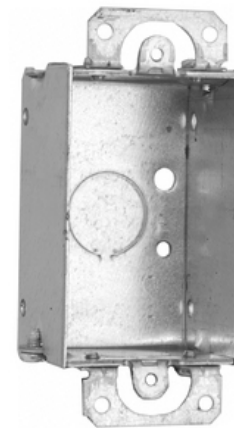
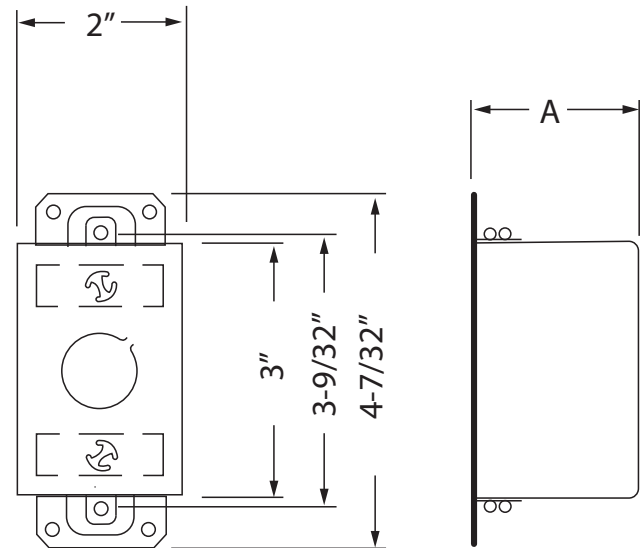
- End Knockouts _____: (2) 1/2 in.
- Ends Cable: _____
- Bracket Type: _____ Ears
- Side Knockout(s): _____
- Bottom Knockouts(s): _____ (1) 1/2 in.

DRAWING DIMENSIONS

Dimension A: _____ 1-1/2 in.

PRODUCT MEASUREMENTS

- Depth: _____ 1-1/2 in.
- Cubic Inches (cm3): _____ 7.5 (122.9)
- Wt. Ea. (Lbs.): _____ 0.383
- Product Length (in.): _____ 1.50
- Product Width (in.): _____ 4.22
- Product Height (in.): _____ 2.00



PACKAGING

- PKG: _____ 50
- UPC Number: _____ 837654069523

ELECTRICAL BOXES & COVERS



400 MARTIN LUTHER KING JR WAY, BRIDGETON, NJ 08302
PHONE : (718).338.1851 FAX : (718).228.1851
orders@ammoelectric.com

www.ammoelectric.com