



CATEGORY
**ELECTRICAL
 BOXES**
 AMMO ITEM #
AR420

Company: _____
 Job: _____ #Item: _____
 Notes: _____

3"x2" Switch Boxes - 2" Deep Switch Box - Gangable with Conduit KO's, Plaster Ears



APPLICATIONS

Switch boxes are used to house wiring devices such as switches and outlets

PRODUCT FEATURES

- Gangable switch boxes offer the option of constructing a box to hold two or more devices
- Plaster ears allow a box to be used in "old work" applications
- Material: Steel

COMPLIANCES

Single gang, two gang, 4 in. square, and single gang gangable UL listed steel boxes are acceptable for use in 2-hour fire rated walls. For additional information, consult UL "Fire Resistance Directory" or the UL website at www.ul.com

FIRE RESISTANCE

Acceptable for use in 2-hour rated walls

GENERAL PRODUCT INFORMATION

Wiring System: _____ Conduit

CONFIGURATION

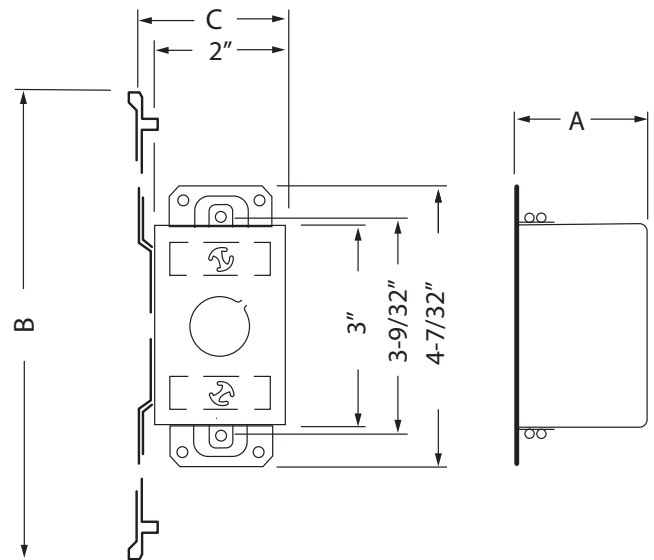
- End Knockouts: _____ (2) 1/2 in.
- Bracket Type: _____ No Bracket
- Side Knockout(s): _____ (4) 1/2 in.
- Bottom Knockouts(s): _____ (2) 1/2 in.

DRAWING DIMENSIONS

Dimension A: _____ 2 in.

PRODUCT MEASUREMENTS

- Depth: _____ 2 in.
- Cubic Inches: _____ 10.0
- Wt. Ea. (Lbs.): _____ 0.464
- Product Length (in.): _____ 2.00
- Product Width (in.): _____ 4.22
- Product Height (in.): _____ 2.00



PACKAGING

- PKG: _____ 50
- UPC Number: _____ 837654069196

ELECTRICAL BOXES & COVERS



400 MARTIN LUTHER KING JR WAY, BRIDGETON, NJ 08302
 PHONE : (718).338.1851 FAX : (718).228.1851
orders@ammoelectric.com

www.ammoelectric.com