



CATEGORY  
**ELECTRICAL  
 BOXES**

AMMO ITEM #

**AR445**

Company: \_\_\_\_\_

Job: \_\_\_\_\_ #Item: \_\_\_\_\_

Notes: \_\_\_\_\_

# 3"X 2" Switch Boxes Gangable, Plaster Ears



## APPLICATION

Used to support toggle switches, duplex devices, decorative devices and a variety of electrical outlets

## FEATURES

- Gangable switch boxes offer the option of constructing a box to hold two or more devices
- Plaster ears allow a box to be used in "old work" applications

## MATERIAL / FINISH

- G60 Galvanized Steel
- Silver

## COMPLIANCES

Single gang, two gang, 4" square, and single gang gangable UL listed steel boxes are acceptable for use in 2-hour fire rated walls

## CONFIGURATION

- Ends Cable: \_\_\_\_\_ 4
- Bracket Type: \_\_\_\_\_ Ears, Nm Cable Clamps
- Bottom Knockouts(s): \_\_\_\_\_ (1) 1/2 in
- Wiring System: \_\_\_\_\_ Nonmetallic Sheathed Cable

## DRAWING DIMENSIONS

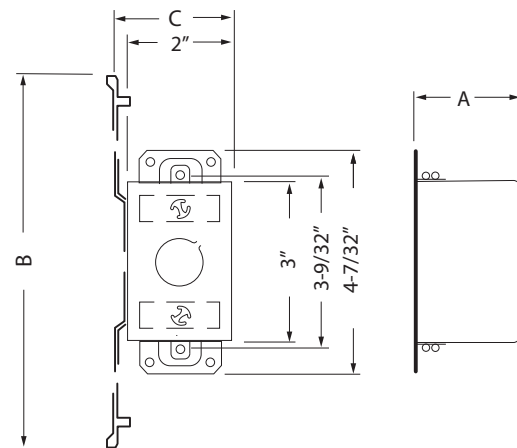
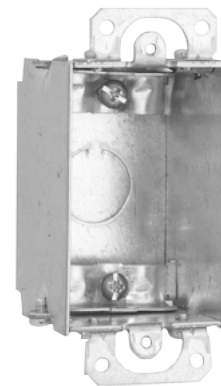
Dimension A: \_\_\_\_\_ 2 in

## MEASUREMENTS

- Depth: \_\_\_\_\_ 2 in
- Cubic Inches: \_\_\_\_\_ 10.0 cu in
- Wt. Ea: \_\_\_\_\_ 235.8 g
- Length: \_\_\_\_\_ 2.00 in
- Width: \_\_\_\_\_ 4.22 in
- Height: \_\_\_\_\_ 2.00 in

## PACKAGING

- PKG: \_\_\_\_\_ 50
- UPC Number: \_\_\_\_\_ 837654062692



## ELECTRICAL BOXES & COVERS



400 MARTIN LUTHER KING JR WAY, BRIDGETON, NJ 08302  
 PHONE : (718).338.1851 FAX : (718).228.1851  
 orders@ammoelectric.com

www.ammoelectric.com