



CATEGORY  
**ELECTRICAL  
 BOXES**  
 AMMO ITEM #  
**AR487**

Company: \_\_\_\_\_  
 Job: \_\_\_\_\_ #Item: \_\_\_\_\_  
 Notes: \_\_\_\_\_

## 3"X2" Switch Boxes - 2-1/4" Deep Switch Boxes - Gangable with Nonmetallic Sheathed Cable Clamps Old Work



### APPLICATIONS

Switch boxes are used to house wiring devices such as switches and outlets

### PRODUCT FEATURES

- Gangable switch boxes offer the option of constructing a box to hold two or more devices
- Beveled corner boxes are designed to prevent the clamp screws from protruding into back wall
- Plaster ears allow a box to be used in "old work" applications
- Material: Steel

### COMPLIANCES

Single gang, two gang, 4 in. square, and single gang gangable UL listed steel boxes are acceptable for use in 2-hour fire rated walls.

### FIRE RESISTANCE

Acceptable for use in 2-hour rated walls

### GENERAL PRODUCT INFORMATION

Wiring System: \_\_\_\_\_ Nonmetallic Sheathed Cable

### CONFIGURATION

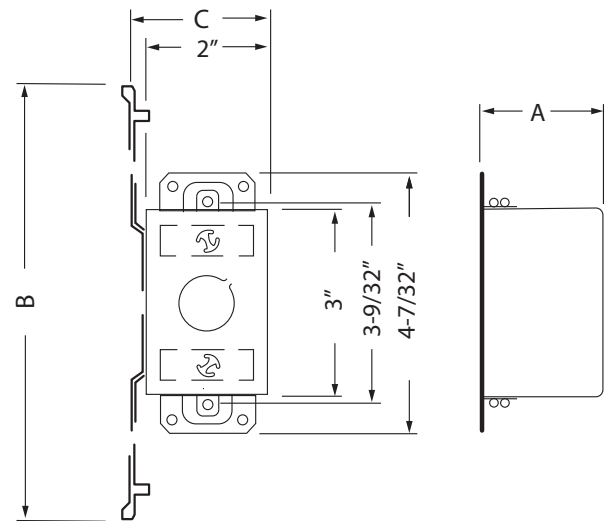
- Ends Cable: \_\_\_\_\_ 4
- Bracket Type: \_\_\_\_\_ Ears, Nm Cable Clamps
- Bottom Knockouts(s): \_\_\_\_\_ (1) 1/2 in.

### DRAWING DIMENSIONS

Dimension A: \_\_\_\_\_ 2-1/4 in.

### PRODUCT MEASUREMENTS

- Depth: \_\_\_\_\_ 2-1/4 in.
- Cubic Inches: \_\_\_\_\_ 10.
- Wt. Ea. (Lbs.): \_\_\_\_\_ 0.605
- Product Length (in.): \_\_\_\_\_ 2.25
- Product Width (in.): \_\_\_\_\_ 4.22
- Product Height (in.): \_\_\_\_\_ 3.00



### PACKAGING

- PKG \_\_\_\_\_ 50
- UPC Number: \_\_\_\_\_ 837654081631

## ELECTRICAL BOXES & COVERS



400 MARTIN LUTHER KING JR WAY, BRIDGETON, NJ 08302  
 PHONE : (718).338.1851 FAX : (718).228.1851  
 orders@ammoelectric.com

www.ammoelectric.com