



Company: \_\_\_\_\_

Job: \_\_\_\_\_ #Item: \_\_\_\_\_

Notes: \_\_\_\_\_

# 3"X2" Switch Boxes 2-1/2" Deep With Conduit KOs



### APPLICATIONS

Switch boxes are used to house wiring devices such as switches and outlets

### PRODUCT FEATURES

- Gangable switch boxes offer the option of constructing a box to hold two or more devices
- Plaster ears allow a box to be used in old work applications
- Material: Steel

### COMPLIANCES

Single gang, two gang, 4 in. square, and single gang gangable UL listed steel boxes are acceptable for use in 2 hour fire rated walls.

### GENERAL PRODUCT INFORMATION

Wiring System: Conduit

### FIRE RESISTANCE

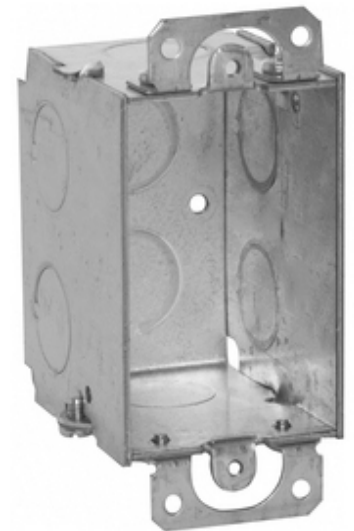
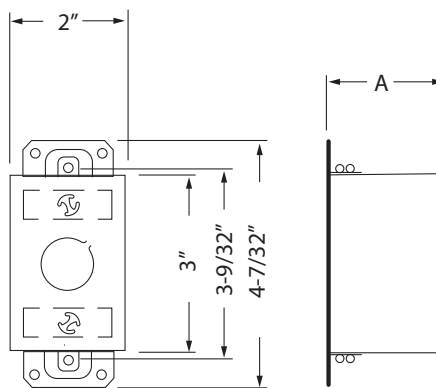
Acceptable for use in 2-hour rated walls

### CONFIGURATION

- End Knockouts: \_\_\_\_\_ (2) 1/2 in.
- Bracket Type: \_\_\_\_\_ No Bracket
- Side Knockout(s): \_\_\_\_\_ (4) 1/2 in.
- Bottom Knockouts(s): \_\_\_\_\_ (2) 1/2 in.

### DRAWING DIMENSIONS

Dimension A: \_\_\_\_\_ 2-1/2 in.



### PRODUCT MEASUREMENTS

- Depth: \_\_\_\_\_ 2-1/2 in.
- Cubic Inches (cm3): \_\_\_\_\_ 12.5 (204.8)
- Wt. Ea. (Lbs.): \_\_\_\_\_ 0.551
- Product Length (in.): \_\_\_\_\_ 2.50
- Product Width (in.): \_\_\_\_\_ 4.22
- Product Height (in.): \_\_\_\_\_ 2.00

### PACKAGING

- PKG: \_\_\_\_\_ 50
- Product UPC-A Labeled: \_\_\_\_\_ No
- Weight (Lbs. Per/C): \_\_\_\_\_ 55.10
- Ship Carton Length (in.): \_\_\_\_\_ 13.75
- Ship Carton Width (in.): \_\_\_\_\_ 8.25
- Ship Carton Height (in.): \_\_\_\_\_ 10.88
- Ctn Weight (Lbs.): \_\_\_\_\_ 27.55
- Pallet Qty: \_\_\_\_\_ 3250
- UPC Number: \_\_\_\_\_ 837654067178

## ELECTRICAL BOXES & COVERS