



Company: _____

Job: _____ #Item: _____

Notes: _____

3" X 2" Switch Boxes 1-1/2 To 2-1/2" Deep With Conduit KO's No Plaster Ears



APPLICATIONS

Switch boxes are used to house wiring devices such as switches and outlets

PRODUCT FEATURES

- Gangable switch boxes offer the option of constructing a box to hold two or more devices
- Material: Steel

COMPLIANCES

All single gang, two gang, 4 in. square, and single gang gangable UL listed steel boxes are acceptable for use in 2 hour fire rated walls.

FIRE RESISTANCE

Acceptable for use in 2-hour rated walls

GENERAL PRODUCT INFORMATION

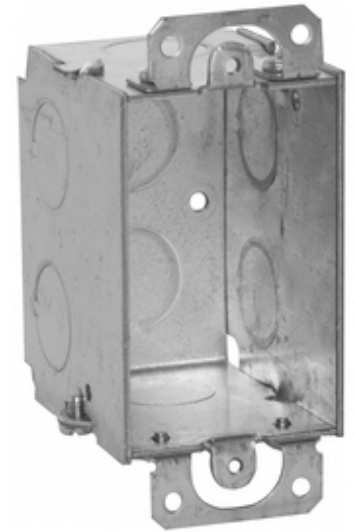
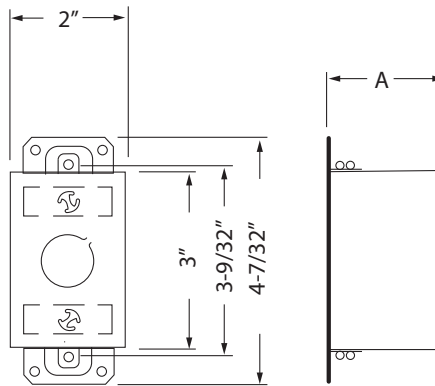
Wiring System: Conduit

CONFIGURATION

- End Knockouts: _____ (2) 1/2 in.
- Ends Cable _____ :---
- Bracket Type: _____ No Bracket
- Side Knockout(s): _____ (4) 1/2 in.
- Bottom Knockouts(s): _____ (2) 1/2 in.

DRAWING DIMENSIONS

Dimension A: _____ 2-1/2 in.



PRODUCT MEASUREMENTS

- Depth: _____ 2-1/2 in.
- Cubic Inches (cm3): _____ 12.5 (204.8)
- Wt. Ea. (Lbs.): _____ 0.529
- Product Length (in.): _____ 2.50
- Product Width (in.): _____ 3.38
- Product Height (in.): _____ 2.00

PACKAGING

- PKG: _____ 50
- Product UPC-A Labeled: ___ No
- Weight (Lbs. Per/C): _____ 52.90
- Ship Carton Length (in.): _____ 13.50
- Ship Carton Width (in.): _____ 7.38
- Ship Carton Height (in.): _____ 11.25
- Ctn Weight (Lbs.): _____ 26.45
- Pallet Qty: _____ 3900
- UPC Number: _____ 837654073131

ELECTRICAL BOXES & COVERS