



CATEGORY  
**ELECTRICAL  
BOXES**

AMMO ITEM #

**AR509**

Company: \_\_\_\_\_

Job: \_\_\_\_\_ #Item: \_\_\_\_\_

Notes: \_\_\_\_\_

# 3"X2" Switch Boxes - 2-1/2" Deep Switch Boxes - Gangable with Conduit KO's, Old Work, Plaster Ears



### APPLICATIONS

Switch boxes are used to house wiring devices such as switches and outlets

### PRODUCT FEATURES

- Gangable switch boxes offer the option of constructing a box to hold two or more devices
- Plaster ears allow a box to be used in "old work" applications
- Material: Steel

### COMPLIANCES

Single gang, two gang, 4 in. square, and single gang gangable UL listed steel boxes are acceptable for use in 2hour fire rated walls.

### FIRE RESISTANCE

Acceptable for use in 2-hour rated walls

### GENERAL PRODUCT INFORMATION

Wiring System: \_\_\_\_\_ Conduit

### CONFIGURATION

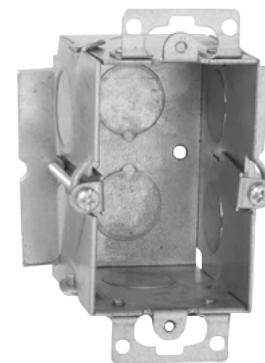
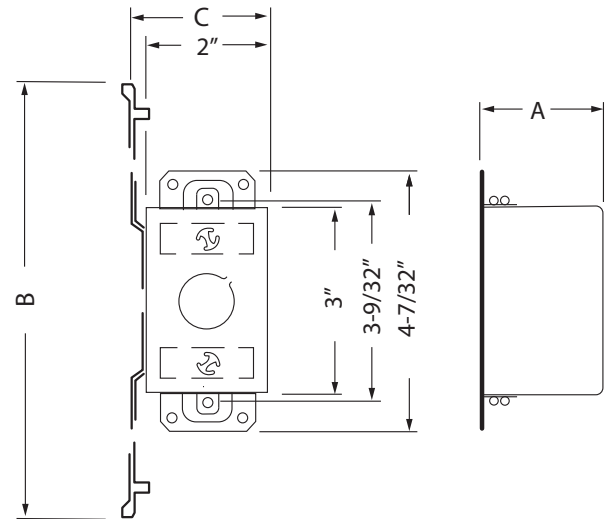
- Side Knockouts: \_\_\_\_\_ (4) 1/2 in.
- Bracket Type: \_\_\_\_\_ Nmsc Clamps, Plaster Ears

### DRAWING DIMENSIONS

Dimension A: \_\_\_\_\_ 2-1/2 in.

### PRODUCT MEASUREMENTS

- Depth: \_\_\_\_\_ 2-1/2 in.
- Cubic Inches (cm3): \_\_\_\_\_ 12.5 (204.8)
- Wt. Ea. (Lbs.): \_\_\_\_\_ 0.612
- Product Length (in.): \_\_\_\_\_ 2.50
- Product Width (in.): \_\_\_\_\_ 4.22
- Product Height (in.): \_\_\_\_\_ 2.63



### PACKAGING

- PKG: \_\_\_\_\_ 50
- UPC Number: \_\_\_\_\_ 837654073124

## ELECTRICAL BOXES & COVERS



400 MARTIN LUTHER KING JR WAY, BRIDGETON, NJ 08302  
PHONE : (718).338.1851 FAX : (718).228.1851  
orders@ammoelectric.com

www.ammoelectric.com