



Company: _____

Job: _____ #Item: _____

Notes: _____

3"X 2" Switch Boxes Gangable



APPLICATIONS

Used to house wiring devices such as switches and outlets

FEATURES

- Gangable switch boxes offer the option of constructing a box to hold two or more devices
- Plaster ears allow a box to be used in "old work" applications
- Material: Steel

COMPLIANCES

Single gang, two gang, 4 in. square, and single gang gangable UL listed steel boxes are acceptable for use in 2-hour fire rated walls

GENERAL INFORMATION

Wiring System: _____ Nonmetallic Sheathed Cable

CONFIGURATION

- Ends Cable: _____ 4
- Bracket Type: _____ Sheathed Cable Clamps, Plaster Ears, Old Work, Tigergrip® A50
- Bottom Knockouts(s): _____ (1) 1/2 in

DRAWING DIMENSIONS

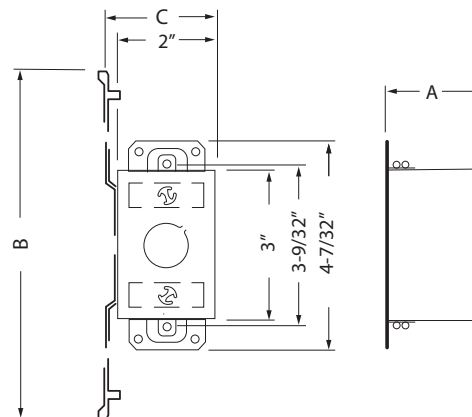
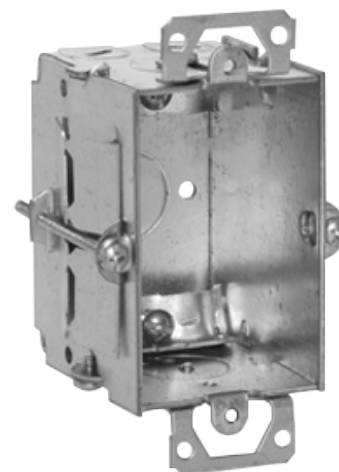
Dimension A: _____ 2-1/2 in

MEASUREMENTS

- Depth: _____ 2-1/2 in
- Cubic Inches (cm³): _____ 12.5 (204.8)
- Wt. Ea: _____ 301.6 g
- Length: _____ 2.50 in
- Width : _____ 4.22 in
- Height: _____ 2.63 in

PACKAGING

- PKG: _____ 50
- UPC Number: _____ 837654081655



ELECTRICAL BOXES & COVERS