



CATEGORY  
**ELECTRICAL  
BOXES**

AMMO ITEM #

**AR518**

Company: \_\_\_\_\_

Job: \_\_\_\_\_ #Item: \_\_\_\_\_

Notes: \_\_\_\_\_

# 3"X 2" Switch Boxes Gangable Plaster Ears



## APPLICATIONS

Used to house wiring devices such as switches and outlets

## FEATURES

- Gangable switch boxes offer the option of constructing a box to hold two or more devices
- Plaster ears allow a box to be used in "old work" applications
- Material: Steel

## COMPLIANCES

All single gang, two gang, 4 in. square, and single gang gangable UL listed steel boxes are acceptable for use in 2 hour fire rated walls

## CONFIGURATION

- Ends Cable: \_\_\_\_\_ 4
- Bracket Type: \_\_\_\_\_ No Bracket
- Bottom Knockouts(s): \_\_\_\_\_ (1) 1/2 in

## MEASUREMENTS

- Depth: \_\_\_\_\_ 2-1/2 in
- Cubic Inches (cm<sup>3</sup>): \_\_\_\_\_ 12.5 (204.8)
- Wt. Ea: \_\_\_\_\_ 276.6 g
- Length : \_\_\_\_\_ 2.50 in
- Width: \_\_\_\_\_ 4.22 in
- Height: 2.00 in

## DRAWING DIMENSIONS

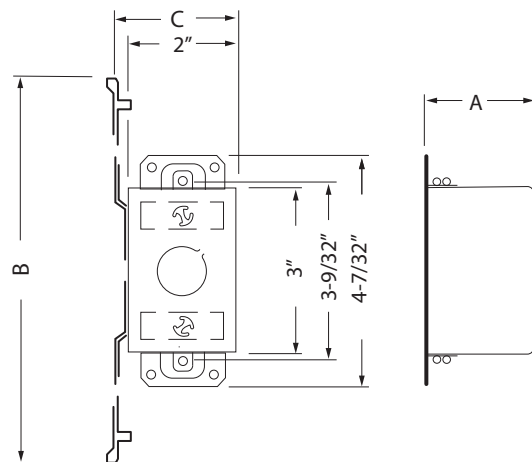
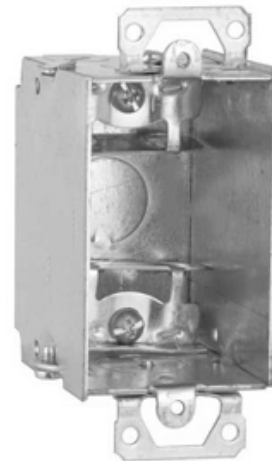
Dimension A: \_\_\_\_\_ 2-1/2 in

## GENERAL INFORMATION

Wiring System: \_\_\_\_\_ Armored Cable /Metal Clad /  
MCI-A/Flex

## PACKAGING

- PKG: \_\_\_\_\_ 50
- UPC Number: \_\_\_\_\_ 837654062319



## ELECTRICAL BOXES & COVERS



400 MARTIN LUTHER KING JR WAY, BRIDGETON, NJ 08302  
PHONE : (718).338.1851 FAX : (718).228.1851  
orders@ammoelectric.com

www.ammoelectric.com