



CATEGORY
**ELECTRICAL
 BOXES**
 AMMO ITEM #
AR519

Company: _____
 Job: _____ #Item: _____
 Notes: _____

3"X2" Switch Boxes 2-1/2" Deep Switch Boxes - Gangable with Nonmetallic Sheathed Cable Clamps, Plaster Ears



APPLICATIONS

Switch boxes are used to house wiring devices such as switches and outlets

PRODUCT FEATURES

- Gangable switch boxes offer the option of constructing a box to hold two or more devices
- Plaster ears allow a box to be used in "old work" applications
- Material: Steel

COMPLIANCES

Single gang, two gang, 4 in. square, and single gang gangable UL listed steel boxes are acceptable for use in 2-hour fire rated walls

FIRE RESISTANCE

Acceptable for use in 2-hour rated walls

GENERAL PRODUCT INFORMATION

Wiring System: _____ Nonmetallic Sheathed Cable

CONFIGURATION

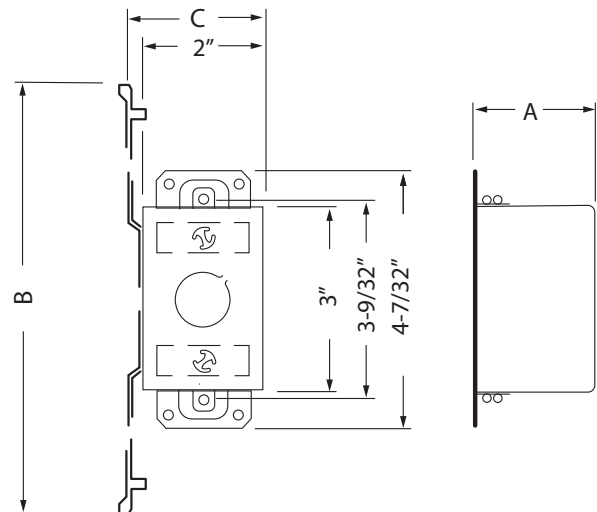
- Ends Cable: _____ 4
- Bracket Type: _____ Ears, Nm Cable Clamps
- Bottom Knockouts(s): _____ (1) 1/2 in.

DRAWING DIMENSIONS

Dimension A: _____ 2-1/2 in.

PRODUCT MEASUREMENTS

- Depth: _____ 2-1/2 in.
- Cubic Inches (cm³): _____ 12.5 (204.8)
- Wt. Ea. (Lbs.): _____ 0.589
- Product Length (in.): _____ 2.50
- Product Width (in.): _____ 4.22
- Product Height (in.): _____ 2.00



PACKAGING

- PKG: _____ 50
- UPC Number: _____ 837654062715

ELECTRICAL BOXES & COVERS



400 MARTIN LUTHER KING JR WAY, BRIDGETON, NJ 08302
 PHONE : (718).338.1851 FAX : (718).228.1851
 orders@ammoelectric.com

www.ammoelectric.com