



CATEGORY  
**ELECTRICAL  
BOXES**

AMMO ITEM #

**AR523**



# 2-1/2" Deep Switch Box Gangable with Armored Cable/Metal Clad/Flex Clamps Plaster Ears, Old Work, GRIPTITE®

## APPLICATIONS

Switch boxes are used to house wiring devices such as switches and outlets

## PRODUCT FEATURES

- Gangable switch boxes offer the option of constructing a box to hold two or more devices
- Plaster ears allow a box to be used in applications
- Material: Steel

## COMPLIANCES

Single gang, two gang, 4 in. square, and single gang gangable UL listed steel boxes are acceptable for use in 2 hour fire rated walls.

## FIRE RESISTANCE

Acceptable for use in 2-hour rated walls

## GENERAL PRODUCT INFORMATION

Wiring System: Armored Cable / Metal Clad / MCI-A/Flex

## CONFIGURATION

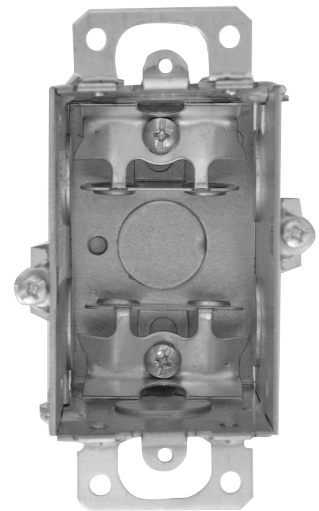
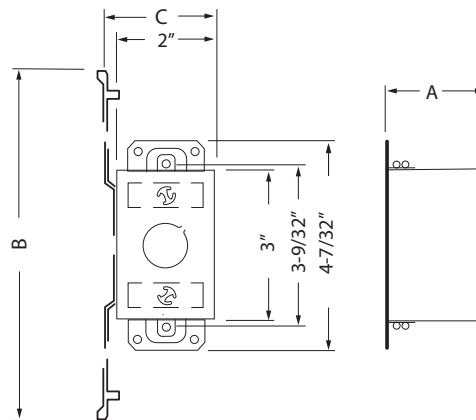
- Ends Cable \_\_\_\_\_ 4
- Bracket Type: \_\_\_\_\_ No Bracket
- Bottom Knockouts(s): \_\_\_\_\_ (1) 1/2 in.

## DRAWING DIMENSIONS

Dimension A: 2-1/2 in.

## PRODUCT MEASUREMENTS

- Depth: \_\_\_\_\_ 2-1/2 in.
- Cubic Inches (cm<sup>3</sup>): \_\_\_\_\_ 12.5 (204.8)
- Wt. Ea. (Lbs.): \_\_\_\_\_ 0.649
- Product Length (in.): \_\_\_\_\_ 2.50
- Product Width (in.): \_\_\_\_\_ 4.22
- Product Height (in.): \_\_\_\_\_ 2.63



## PACKAGING

- PKG: \_\_\_\_\_ 50
- Product UPC-A Labeled:  No
- Weight (Lbs. Per/C): \_\_\_\_\_ 64.90
- Ship Carton Length (in.): \_\_\_\_\_ 11.25
- Ship Carton Width (in.): \_\_\_\_\_ 8.5
- Ship Carton Height (in.): \_\_\_\_\_ 8.5
- Ctn Weight (Lbs.): \_\_\_\_\_ 16.23
- Pallet Qty: \_\_\_\_\_ 2500
- UPC Number: \_\_\_\_\_ 837654061886

## ELECTRICAL BOXES & COVERS



400 MARTIN LUTHER KING JR WAY, BRIDGETON, NJ 08302  
PHONE : (718).338.1851 FAX : (718).228.1851  
orders@ammoelectric.com

www.ammoelectric.com