



CATEGORY
**ELECTRICAL
BOXES**

AMMO ITEM #

AR524

Company: _____

Job: _____ #Item: _____

Notes: _____

3"X 2" Switch Boxes Gangable Plaster Ears



APPLICATION

Used to support toggle switches, duplex receptacles, decorative devices and a variety of electrical outlets

FEATURE

Gangable for multiple switches or device installations

MATERIAL / FINISH

- G60 Galvanized Steel
- Silver

COMPLIANCES

All single gang, two gang, 4 in. square, and single gang gangable UL listed steel boxes are acceptable for use in 2 hour fire rated walls

CONFIGURATION

- End Knockouts: _____ (2) 1/2 in
- Ends Cable: _____ 4
- Bracket Type: _____ TS for Metal or Wood Studs
- Side Knockout(s): _____ -
- Bottom Knockout(s): _____ (1) 1/2 in
- Wiring System: _____ Armored Cable / Metal Clad / MCI-A / Flex

MEASUREMENTS

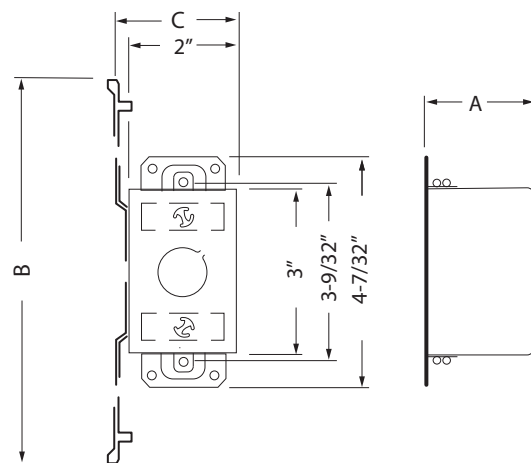
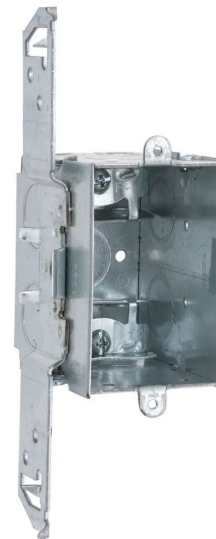
- Depth: _____ 2-1/2 in
- Cubic Inches (cm³): _____ 12.5 (204.8)
- Wt. Ea: _____ 249.9 g
- Length: _____ 2.50 in
- Width: _____ 7.00 in
- Height: _____ 2.20 in

DRAWING DIMENSIONS

- Dimension A: _____ 2-1/2 in
- Dimension B: _____ 7 in
- Dimension C: _____ 2-13/64 in

PACKAGING

- PKG: _____ 50
- UPC Number: _____ 837654061879



ELECTRICAL BOXES & COVERS



400 MARTIN LUTHER KING JR WAY, BRIDGETON, NJ 08302
PHONE : (718).338.1851 FAX : (718).228.1851
orders@ammoelectric.com

www.ammoelectric.com