



CATEGORY
**ELECTRICAL
BOXES**

AMMO ITEM #

AR529

Company: _____

Job: _____ #Item: _____

Notes: _____

3"X2" Switch Boxes - 2-1/2" Deep - Gangable with Nonmetallic Sheathed Cable Clamps - LB Bracket, 5/8" Setback



APPLICATIONS

Switch boxes are used to house wiring devices such as switches and outlets

PRODUCT FEATURES

- Gangable switch boxes offer the option of constructing a box to hold two or more devices
- Reference the Box Selection section in the front of this catalog for complete description of bracket types and features
- Material: Steel

COMPLIANCES

Single gang, two gang, 4 in. square, and single gang gangable UL listed steel boxes are acceptable for use in 2hour fire rated walls.

FIRE RESISTANCE

Acceptable for use in 2-hour rated walls

GENERAL PRODUCT INFORMATION

Wiring System: _____ Nonmetallic Sheathed Cable

CONFIGURATION

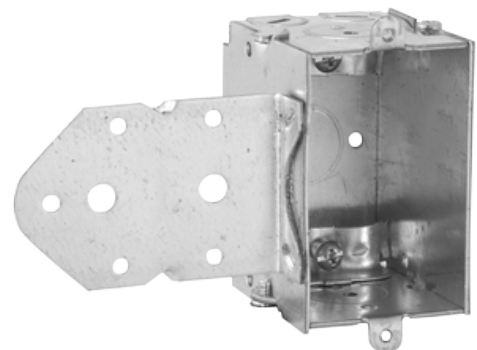
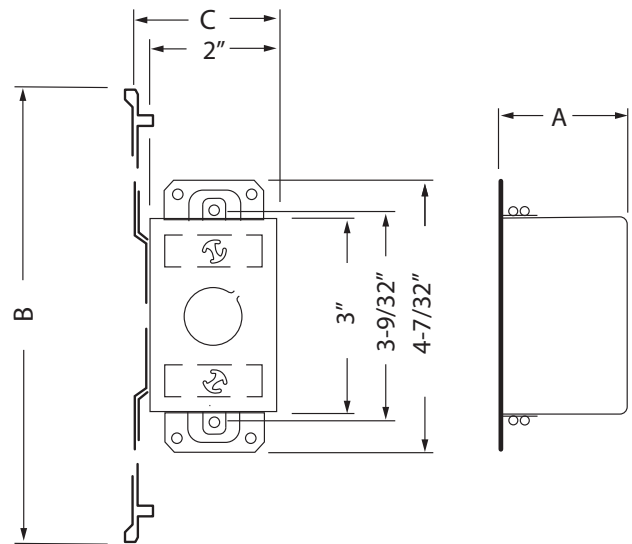
- End Knockouts: _____ (2) 1/2 in.
- Ends Cable: _____ 4
- Bracket Type: _____ LB, Nm Cable Clamps for Wood Studs
- Bracket Setback: _____ 5/8 in.
- Side Knockout(s): _____ (2) 1/2 in.
- Bottom Knockout(s): _____ (1) 1/2 in.

DRAWING DIMENSIONS

- Dimension A: _____ 2-1/2 in.
- Dimension B: _____ 1-31/32 in.
- Dimension C: _____ 5-3/64 in.

PRODUCT MEASUREMENTS

- Depth: _____ 2-1/2 in.
- Cubic Inches (cm3): _____ 12.5 (204.8)
- Wt. Ea. (Lbs.): _____ 0.685
- Product Length (in.): _____ 2.50
- Product Width (in.): _____ 4.22
- Product Height (in.): _____ 5.59



PACKAGING

- PKG: _____ 50
- UPC Number: _____ 837654066782

ELECTRICAL BOXES & COVERS



400 MARTIN LUTHER KING JR WAY, BRIDGETON, NJ 08302
PHONE : (718).338.1851 FAX : (718).228.1851
orders@ammoelectric.com

www.ammoelectric.com