



Company: \_\_\_\_\_

Job: \_\_\_\_\_ #Item: \_\_\_\_\_

Notes: \_\_\_\_\_

# 2-1/2" Deep Switch Boxes Gangable with Nonmetallic Sheathed Cable Clamps TS Bracket, 1/2" Setback



### APPLICATIONS

Switch boxes are used to house wiring devices such as switches and outlets

### PRODUCT FEATURES

- Gangable switch boxes offer the option of constructing a box to hold two or more devices
- Reference the Box Selection section in the front of this catalog for complete description of bracket types and features
- Material: Steel

### COMPLIANCES

All single gang, two gang, 4 in. square, and single gang gangable UL listed steel boxes are acceptable for use in 2 hour fire rated walls

### FIRE RESISTANCE

Acceptable for use in 2-hour rated walls

### GENERAL PRODUCT INFORMATION

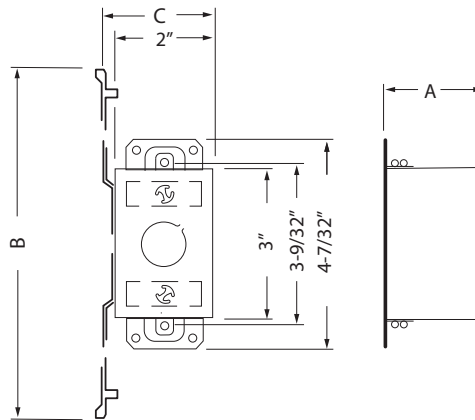
Wiring System: Nonmetallic Sheathed Cable

### CONFIGURATION

- End Knockouts: \_\_\_\_\_ (2) 1/2 in.
- Ends Cable \_\_\_\_\_ :4
- Bracket Type: \_\_\_\_\_ TS, for Metal or Wood Studs
- Bracket setback: \_\_\_\_\_ 1/2 in
- Bottom Knockouts(s): \_\_\_\_\_ (1) 1/2 in.

### DRAWING DIMENSIONS

- Dimension A: \_\_\_\_\_ 2-1/2 in.
- Dimension B: \_\_\_\_\_ 7 in
- Dimension C: \_\_\_\_\_ 2-13/64 in



### PRODUCT MEASUREMENTS

- Depth: \_\_\_\_\_ 2-1/2 in.
- Cubic Inches (cm3): \_\_\_\_\_ 12.5 (204.8)
- Wt. Ea. (Lbs.): \_\_\_\_\_ 0.704
- Product Length (in.): \_\_\_\_\_ 2.50
- Product Width (in.): \_\_\_\_\_ 7.00
- Product Height (in.): \_\_\_\_\_ 2.20

### PACKAGING

- PKG: \_\_\_\_\_ 50
- Product UPC-A Labeled: \_\_\_\_\_ Yes
- Weight (Lbs. Per/C): \_\_\_\_\_ 70.40
- Ship Carton Length (in.): \_\_\_\_\_ 11.38
- Ship Carton Width (in.): \_\_\_\_\_ 8.25
- Ship Carton Height (in.): \_\_\_\_\_ 10.63
- Ctn Weight (Lbs.): \_\_\_\_\_ 17.60
- Pallet Qty: \_\_\_\_\_ 2000
- UPC Number: \_\_\_\_\_ 837654081662

## ELECTRICAL BOXES & COVERS