



CATEGORY
**ELECTRICAL
 BOXES**

AMMO ITEM #

AR562

Company: _____

Job: _____ #Item: _____

Notes: _____

3"X2" Switch Boxes Gangable with Conduit KO's, 1/2" Setback



APPLICATION

Used to house wiring devices such as switches and outlets

FEATURES

- Gangable switch boxes offer the option of constructing a box to hold two or more devices
- Reference the Box Selection section in the front of this catalog for complete description of bracket types and features

MATERIAL / FINISH

- G60 Galvanized Steel
- Silver

COMPLIANCES

Single gang, two gang, 4 in. square, and single gang gangable UL listed steel boxes are acceptable for use in 2-hour fire rated walls

CONFIGURATION

- End Knockouts: _____ (2) 1/2 in
- Bracket Type: _____ TS, for Metal or Wood Studs
- Bracket Setback: _____ 1/2 in
- Side Knockout(s): _____ (2) 1/2 in
- Bottom Knockout(s): _____ (2) 1/2 in
- Wiring System: _____ Conduit

DRAWING DIMENSIONS

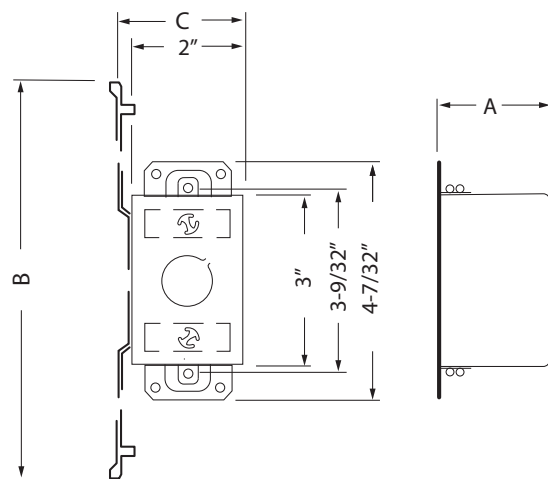
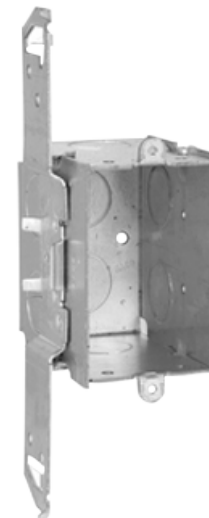
- Dimension A: _____ 2-3/4 in
- Dimension B: _____ 7 in
- Dimension C: _____ 2-13/64 in

MEASUREMENTS

- Depth: _____ 2-3/4 in
- Cubic Inches (cm3): _____ 14.0 (229.4)
- Wt. Ea: _____ 315.7 g
- Length: _____ 2.75 in
- Width: _____ 7.00 in
- Height: _____ 2.20 in

PACKAGING

- PKG: _____ 50
- UPC Number: _____ 837654087619



ELECTRICAL BOXES & COVERS



400 MARTIN LUTHER KING JR WAY, BRIDGETON, NJ 08302
 PHONE : (718).338.1851 FAX : (718).228.1851
 orders@ammoelectric.com

www.ammoelectric.com