



CATEGORY
**ELECTRICAL
 BOXES**

AMMO ITEM #

AR564

Company: _____

Job: _____ #Item: _____

Notes: _____

3"X 2" Switch Boxes Gangable TS Bracket



APPLICATION

Used to house wiring devices such as switches and outlets

FEATURE

Gangable switch boxes offer the option of constructing a box to hold two or more devices

MATERIAL / FINISH

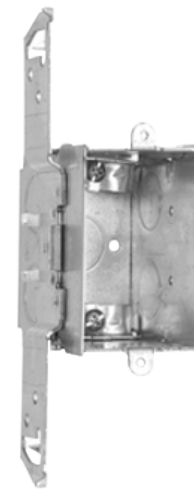
- G60 Galvanized Steel
- Silver

COMPLIANCES

Single gang, two gang, 4 in. square, and single gang gangable UL listed steel boxes are acceptable for use in 2-hour fire rated walls

CONFIGURATION

- End Knockouts: _____ (2) 1/2 in
- Ends Cable: _____ 4 Cables
- Bracket Type: _____ TS, for Metal or Wood Studs
- Bracket Setback: _____ 1/2 in
- Side Knockout(s): _____ (2) 1/2 in
- Wiring System: _____ Nonmetallic Sheathed Cable



DRAWING DIMENSIONS

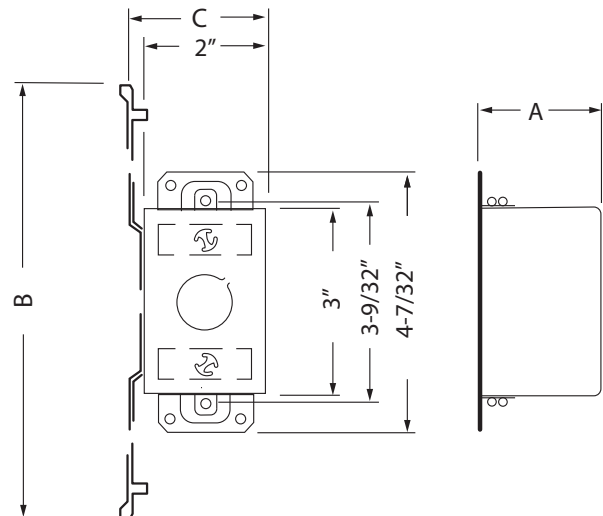
- Dimension A: _____ 2-3/4 in
- Dimension B: _____ 7 in
- Dimension C: _____ 2-13/64 in

MEASUREMENTS

- Depth: _____ 2-3/4 in.
- Cubic Inches (cm3): _____ 14.0 (229.4)
- Wt. Ea: _____ 341.5 g
- Length: _____ 2.75 in
- Width: _____ 7.00 in
- Height: _____ 2.20 in

PACKAGING

- PKG: _____ 50
- UPC Number: _____ 837654067185



ELECTRICAL BOXES & COVERS



400 MARTIN LUTHER KING JR WAY, BRIDGETON, NJ 08302
 PHONE : (718).338.1851 FAX : (718).228.1851
 orders@ammoelectric.com

www.ammoelectric.com