



Company: _____

Job: _____ #Item: _____

Notes: _____

Switch Boxes Gangable 1/2" Setback



APPLICATION

Used to support toggle switches, duplex devices, decorative devices and a variety of electrical outlets

FEATURE

Gangable switch boxes offer the option of constructing a box to hold two or more devices

MATERIAL / FINISH

- G60 Galvanized Steel
- Silver

COMPLIANCES

All single gang, two gang, 4 in. square, and single gang gangable UL listed steel boxes are acceptable for use in 2-hour fire rated walls

CONFIGURATION

- End Knockouts _____ (2) 1/2 in
- Ends Cable: _____ 4
- Bracket Type: _____ TS for Metal or Wood Studs
- Bracket Setback: _____ 1/2 in
- Side Knockout(s): _____ (2) 1/2 in
- Bottom Knockouts(s): _____ (1) 1/2 in
- Wiring System: _____ Armored Cable / MC / MCI-A / Flex

DRAWING DIMENSIONS

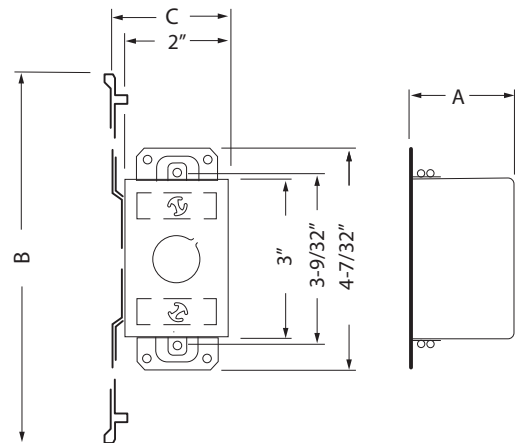
- Dimension A: _____ 2-3/4in
- Dimension B: _____ 7 in
- Dimension C: _____ 2-13/64 in

MEASUREMENTS

- Depth: _____ 2~3/4 in
- Cubic Inches (cm3): _____ 14.0 (229.4)
- Wt.Ea: _____ 355.6 g
- Length: _____ 2.75 in
- Width: _____ 7.00 in
- Height: _____ 2.20 in

PACKAGING

- PKG: _____ 50
- UPC Number: _____ 837654062845



ELECTRICAL BOXES & COVERS