



CATEGORY
**ELECTRICAL
 BOXES**

AMMO ITEM #

AR591

Company: _____
 Job: _____ #Item: _____
 Notes: _____

3"X2" Switch Boxes Gangable Plasted Ears



APPLICATION

Used to house wiring devices such as switches and outlets

FEATURES

- Gangable switch boxes offer the option of constructing a box to hold two or more devices
- Plaster ears allow a box to be used in "old work" applications
- Material: Steel

COMPLIANCES

All single gang, two gang, 4 in. square, and single gang gangable UL listed steel boxes are acceptable for use in 2-hour fire rated walls

GENERAL INFORMATION

Wiring System: _____ Conduit

CONFIGURATION

- End Knockouts: _____ (4) 3/4 in
- Bracket Type: _____ Ears
- Side Knockout(s): _____ (4) 3/4 in
- Bottom Knockout(s): _____ (1) 3/4 in

DRAWING DIMENSIONS

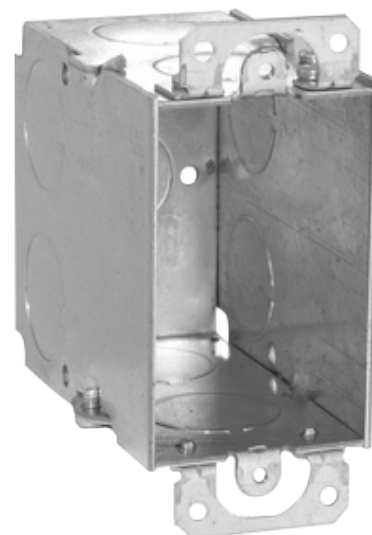
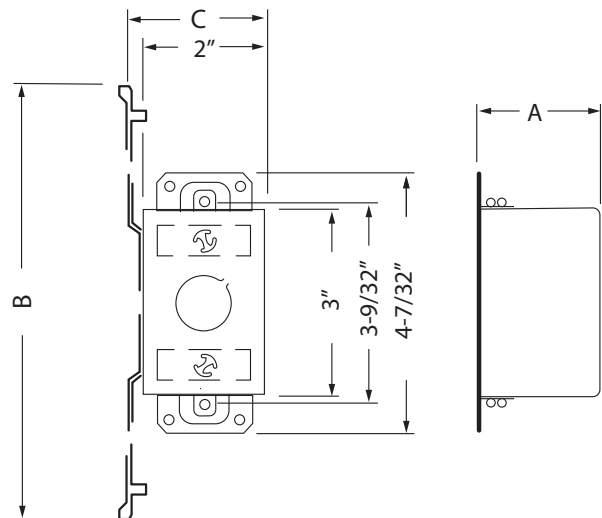
Dimension A: _____ 3-1/2 in.

MEASUREMENTS

- Depth: _____ 3-1/2 in.
- Cubic Inches (cm3): _____ 18.0 (295.0)
- Product Length: _____ 3.50 in
- Product Width: _____ 4.22 in
- Product Height: _____ 2.00 in

PACKAGING

- Weight: _____ 204 g
- PKG: _____ 50
- UPC Number: _____ 837654066690



ELECTRICAL BOXES & COVERS



400 MARTIN LUTHER KING JR WAY, BRIDGETON, NJ 08302
 PHONE : (718).338.1851 FAX : (718).228.1851
 orders@ammoelectric.com

www.ammoelectric.com