



CATEGORY
**ELECTRICAL
BOXES**

AMMO ITEM #

AR592

Company: _____

Job: _____ #Item: _____

Notes: _____

3"X 2" Switch Boxes Gangable No Plaster Ears



APPLICATIONS

Used to house wiring devices such as switches and outlets

FEATURES

- Gangable switch boxes offer the option of constructing a box to hold two or more devices
- Material: Steel

COMPLIANCES

All single gang, two gang, 4 in. square, and single gang gangable UL listed steel boxes are acceptable for use in 2 hour fire rated walls

GENERAL INFORMATION

Wiring System: _____ Conduit

CONFIGURATION

- End Knockouts: _____ (2) 1/2 in
- Ends Cable: _____ --
- Bracket Type: _____ No Bracket
- Side Knockout(s): _____ (4) 1/2 in
- Bottom Knockout(s): _____ (1) 1/2 in

DRAWING DIMENSIONS

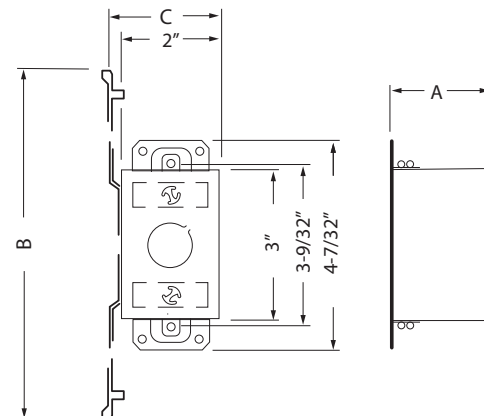
Dimension A: _____ 3-1/2 in

MEASUREMENTS

- Depth: _____ 3-1/2 in
- Cubic Inches (cm3): _____ 18.0. (295.0)
- Wt. Ea: _____ 317.5 g
- Length: _____ 3.50 in
- Width: _____ 3.38 in
- Height: _____ 2.50 in

PACKAGING

- PKG: _____ 50
- UPC Number: _____ 837654087541



ELECTRICAL BOXES & COVERS



400 MARTIN LUTHER KING JR WAY, BRIDGETON, NJ 08302
PHONE : (718).338.1851 FAX : (718).228.1851
orders@ammoelectric.com

www.ammoelectric.com