



CATEGORY
**ELECTRICAL
 BOXES**

AMMO ITEM #

AR600

Company: _____

Job: _____ #Item: _____

Notes: _____

3"X 2" Switch Boxes Plaster Ears



APPLICATION

Used to support toggle switches, duplex devices, decorative devices and a variety of electrical outlets that require extra box depth

FEATURES

- Gangable switch boxes offer the option of constructing a box to hold two or more devices
- Plaster ears allow a box to be used in old work applications

MATERIAL / FINISH

- G60 Galvanized Steel
- Silver

COMPLIANCES

All single gang, two gang, 4 in. square, and single gang gangable UL listed steel boxes are acceptable for use in 2-hour fire rated walls

CONFIGURATION

- End Knockouts: _____ (2) 1/2 in
- Ends Cable: _____ 4 Cables
- Bracket Type: _____ No Bracket
- Side Knockout(s): _____ (4) 1/2 in
- Bottom Knockouts(s): _____ (1) 1/2 in
- Wiring System: _____ Armored Cable / MC / MCI-A / Flex

DRAWING DIMENSIONS

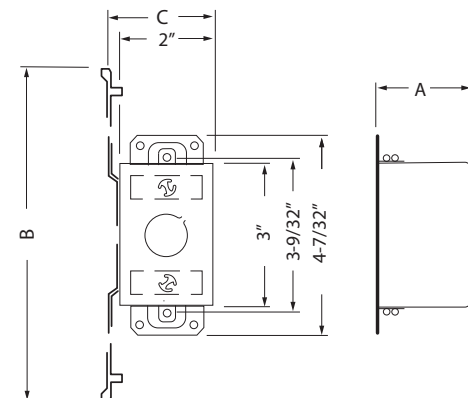
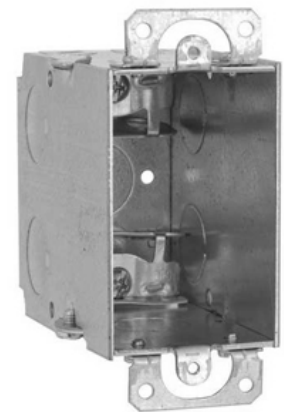
Dimension A: _____ 3-1/2 in

MEASUREMENTS

- Depth: _____ 3-1/2 in
- Cubic Inches (cm3): _____ 18.0. (295.0)
- Wt. Ea: _____ 349.2 g
- Length: _____ 3.50 in
- Width: _____ 4.22 in
- Height: _____ 2.00 in

PACKAGING

- PKG: _____ 50
- UPC Number: _____ 837654062463



ELECTRICAL BOXES & COVERS



400 MARTIN LUTHER KING JR WAY, BRIDGETON, NJ 08302
 PHONE : (718).338.1851 FAX : (718).228.1851
 orders@ammoelectric.com

www.ammoelectric.com