



CATEGORY
**ELECTRICAL
 BOXES**
 AMMO ITEM #
AR603

Company: _____
 Job: _____ #Item: _____
 Notes: _____

3"X 2" Switch Boxes Gangable 5/8" Setback



APPLICATION

Used to house wiring devices such as switches and outlets

FEATURES

- Gangable switch boxes offer the option of constructing a box to hold two or more devices
- Reference the Box Selection section in the front of this catalog for complete description of bracket types and features
- Material: Steel

COMPLIANCES

All single gang, two gang, 4 in. square, and single gang gangable UL listed steel boxes are acceptable for use in 2-hour fire rated walls

GENERAL INFORMATION

Wiring System: _____ Nonmetallic Sheathed Cable

CONFIGURATION

- End Knockouts: _____ (2) 1/2 in
- Ends Cable: _____ 4
- Bracket Type: _____ B, for Wood Studs
- Bracket Setback: _____ 1/4 in
- Side Knockout(s): _____ (4) 1/2 in
- Bottom Knockout(s): _____ (1) 1/2 in

DRAWING DIMENSIONS

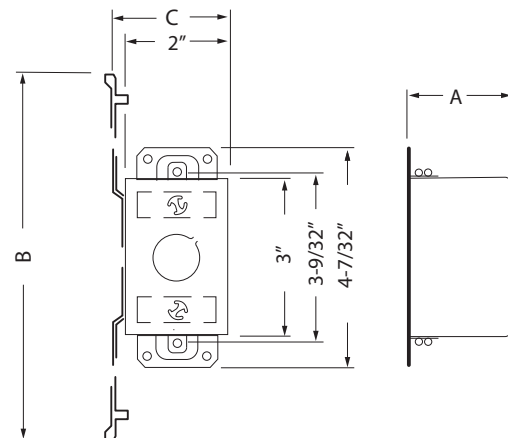
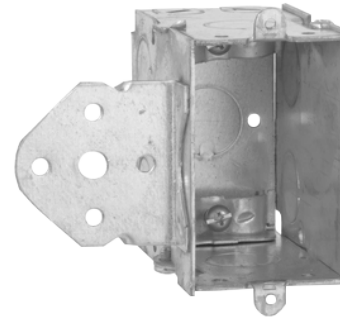
- Dimension A: _____ 3-1/2 in
- Dimension B: _____ 1-31/32 in
- Dimension C: _____ 4 in

MEASUREMENTS

- Depth: _____ 3-1/2 in
- Cubic Inches (cm3): _____ 18.0 (295.0)
- Wt. Ea: _____ 378.2 g
- Length: _____ 3.50 in
- Width: _____ 3.38 in
- Height: _____ 4.20 in

PACKAGING

- PKG: _____ 50
- UPC Number: _____ 837654087558



ELECTRICAL BOXES & COVERS



400 MARTIN LUTHER KING JR WAY, BRIDGETON, NJ 08302
 PHONE : (718).338.1851 FAX : (718).228.1851
 orders@ammoelectric.com

www.ammoelectric.com