



Company: \_\_\_\_\_

Job: \_\_\_\_\_ #Item: \_\_\_\_\_

Notes: \_\_\_\_\_

# 3"X 2" Switch Boxes Gangable 1/2" Setback



## APPLICATION

Used to house wiring devices such as switches and outlets

## FEATURES

- Gangable switch boxes offer the option of constructing a box to hold two or more devices
- Reference the Box Selection section in the front of this catalog for complete description of bracket types and features

## MATERIAL / FINISH

- G60 Galvanized Steel
- Silver

## COMPLIANCES

All single gang, two gang, 4 in. square, and single gang gangable UL listed steel boxes are acceptable for use in 2-hour fire rated walls

## CONFIGURATION

- End Knockouts: \_\_\_\_\_ (2) 1/2 in
- Ends Cable: \_\_\_\_\_ 4 Cables
- Bracket Type: \_\_\_\_\_ TS, for Metal or Wood Studs
- Bracket Setback: \_\_\_\_\_ 1/2 in
- Side Knockout(s): \_\_\_\_\_ (4) 1/2 in
- Bottom Knockout(s): \_\_\_\_\_ (1) 1/2 in
- Wiring System: \_\_\_\_\_ Armored Cable / MC / MCI-A / Flex

## DRAWING DIMENSIONS

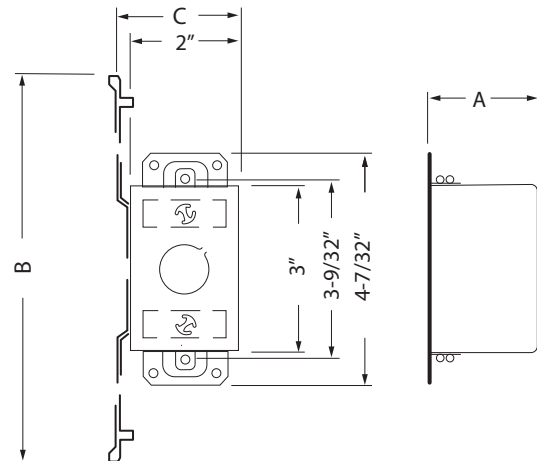
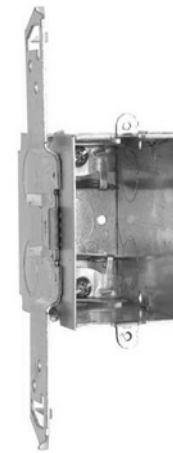
- Dimension A: \_\_\_\_\_ 3-1/2 in
- Dimension B: \_\_\_\_\_ 7 in
- Dimension C: \_\_\_\_\_ 2- 13/64 in

## MEASUREMENTS

- Depth: \_\_\_\_\_ 3-1/2 in
- Cubic Inches (cm3): \_\_\_\_\_ 18.0. (295.0)
- Wt. Ea: \_\_\_\_\_ 408.6 g
- Length: \_\_\_\_\_ 3.50 in
- Width: \_\_\_\_\_ 7.00 in
- Height: \_\_\_\_\_ 2.20 in

## PACKAGING

- PKG: \_\_\_\_\_ 50
- UPC Number: \_\_\_\_\_ 837654062852



## ELECTRICAL BOXES & COVERS