



CATEGORY

NEC (Nipples,
Elbows & Couplings)

AMMO ITEM #

ARALU-30

Company: _____

Job: _____ #Item: _____

Notes: _____

Rigid 30° Aluminum Elbow



APPLICATION

For use in harsh or clean environments such as waste - water treatment, food processing, oil refineries, paper mills, and powerplants

FEATURES

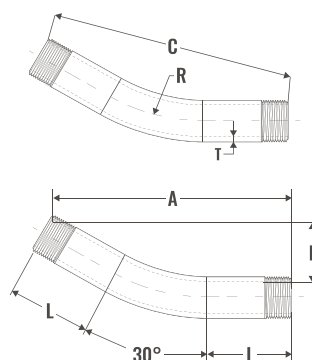
- Manufactured from 6063 aluminum alloy for lightweight and corrosion resistant protection
- Available from 1-1/4" thru 4"
- NPT threads are protected with color coded threaded end caps

MATERIAL

AL6063

CERTIFICATION

Standard: UL 6A ANSI C80.5



AMMO#	SIZE	A (in)	B (in)	C (in)	OD (in)	THICKNESS T (in)	STRAIGHT LENGTH L (in)	RADIUS R (in)	WEIGHT (g)	PKG	UPC
ARALU-12530	1-1/4"	9.243	2.477	9.569	1.660	0.130	3.233	7.250	282	20	837654113851
ARALU-15030	1-1/2"	10.041	2.691	10.395	1.900	0.134	3.425	8.250	389	15	837654113868
ARALU-20030	2"	12.163	3.260	12.593	2.375	0.142	4.291	9.500	618	10	837654113875
ARALU-25030	2-1/2"	14.522	3.891	15.034	2.875	0.185	5.354	10.500	1106	50	837654113882
ARALU-30030	3"	17.784	4.765	18.411	3.500	0.197	6.516	13.000	1624	35	837654113899
ARALU-35030	3-1/2"	19.431	5.207	20.117	4.000	0.207	6.930	15.000	2353	35	837654113905
ARALU-40030	4"	20.009	5.386	20.809	4.500	0.217	7.087	16.000	2934	35	837654113912

NEC (Nipples, Elbows & Couplings)



400 MARTIN LUTHER KING JR WAY, BRIDGETON, NJ 08302
 PHONE : (718).338.1851 FAX : (718).228.1851
 orders@ammoelectric.com

www.ammoelectric.com