



CATEGORY
ELECTRICAL
BOXES

AMMO ITEM #

ARB618R

Company: _____
Job: _____ #Item: _____
Notes: _____

Remodel Plastic Boxes Round Ceiling Remodel Box



FEATURES

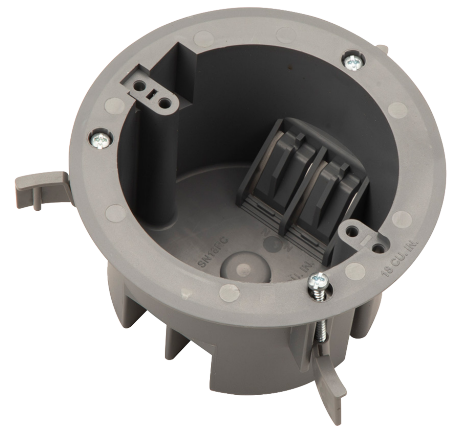
- Certification: _____ ETLus
- Standard: _____ UL 514C
- #Gangs: _____ 1

TECHNICAL PARAMETER

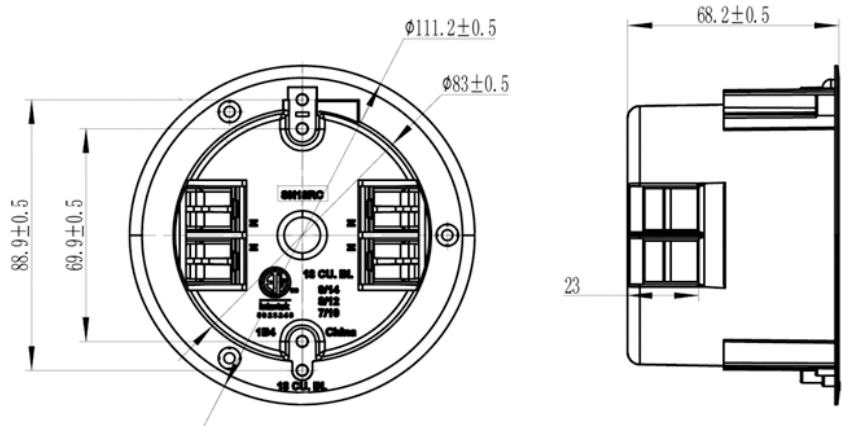
Flame Class: _____ UL94 V0

MATERIAL

- Enclosure: _____ PC/PVC
- Screw: _____ Zinc plated steel



AMMO#	SIZE (mm)	SIZE (cu. in)	WEIGHT (g)	COLOR	PKG	UPC
ARB618R	11x68	18	96	Grey	75	837654115336



ELECTRICAL BOXES & COVERS



400 MARTIN LUTHER KING JR WAY, BRIDGETON, NJ 08302
PHONE : (718).338.1851 FAX : (718).228.1851
orders@ammoelectric.com

www.ammoelectric.com