



CATEGORY  
ELECTRICAL  
FITTINGS

AMMO ITEM #

ARBNSLT-50

Company: \_\_\_\_\_  
Job: \_\_\_\_\_ #Item: \_\_\_\_\_  
Notes: \_\_\_\_\_

# Black Nylon Straight Liquidtight Connector



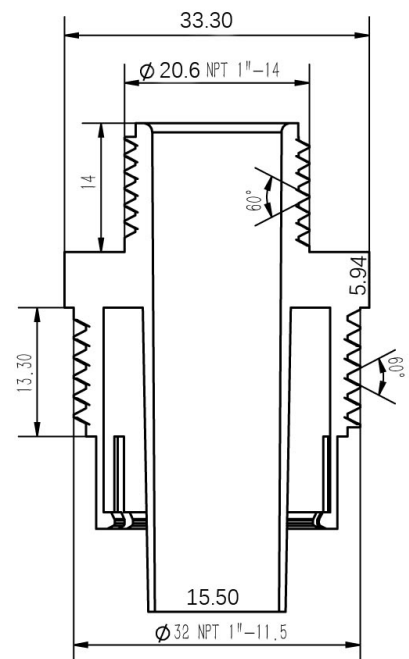
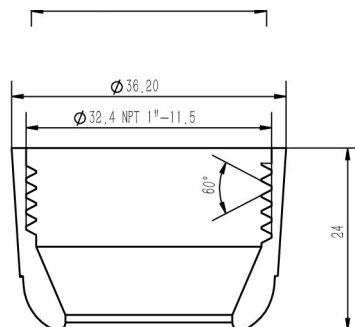
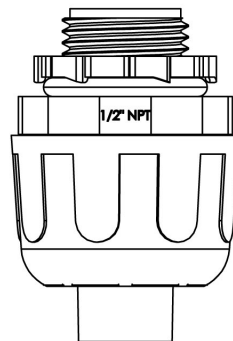
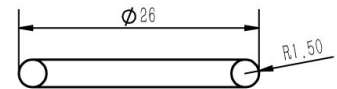
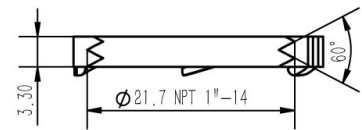
## APPLICATIONS

For use in wet and dry locations

## FEATURES

- Liquidtight, raintight, oiltight
- For flexible non-metallic liquidtight tubing
- Easy assembly avoids having to remove the compression nut

| AMMO       | SIZE | INNER | MASTER | WEIGHT (g) | UPC          |
|------------|------|-------|--------|------------|--------------|
| ARBNSLT-50 | 1/2" | 25    | 100    | 26         | 837654109649 |



\*Measurements in mm

## ELECTRICAL FITTINGS



400 MARTIN LUTHER KING JR WAY, BRIDGETON, NJ 08302  
PHONE : (718).338.1851 FAX : (718).228.1851  
orders@ammoelectric.com

www.ammoelectric.com