



CATEGORY
**ELECTRICAL
FITTINGS**

AMMO ITEM #

ARBNSLT90-100

Company: _____

Job: _____ #Item: _____

Notes: _____

1" 90° Black Nylon Liquidtight Connector



APPLICATION

Used for conduit size from 3/8" to 2"

FEATURES

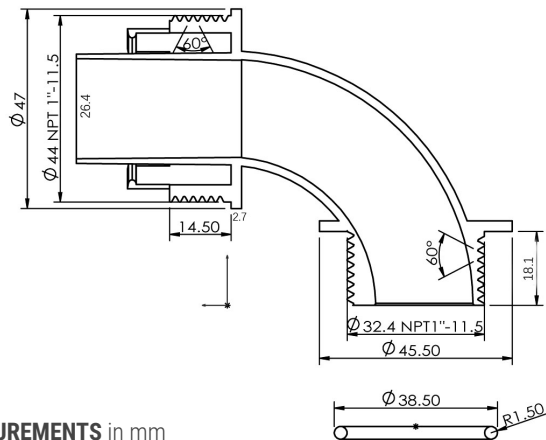
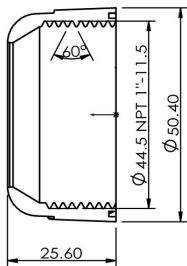
- Non-metallic construction offers the maximum flexibility
- Easy assembly avoids removal of compression nut

MATERIAL

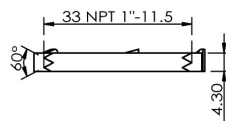
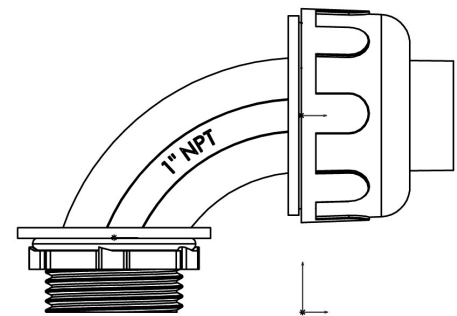
- Body: Nylon
- Cover: Nylon
- O ring: Rubber
- Locknut: Steel

PACKAGING

- Weight: _____ 38 g
- Inner: _____ 5
- Master: _____ 50
- UPC Number: _____ 837654109731



*MEASUREMENTS in mm



ELECTRICAL FITTINGS



400 MARTIN LUTHER KING JR WAY, BRIDGETON, NJ 08302
PHONE : (718).338.1851 FAX : (718).228.1851
orders@ammoelectric.com

www.ammoelectric.com