



CATEGORY  
**ELECTRICAL  
FITTINGS**

AMMO ITEM #

**ARBNSLT90-125**

Company: \_\_\_\_\_  
Job: \_\_\_\_\_ #Item: \_\_\_\_\_  
Notes: \_\_\_\_\_

# 1 1/4" 90° Black Nylon Liquidtight Connector



## APPLICATION

Used for conduit size from 3/8" to 2"

## FEATURES

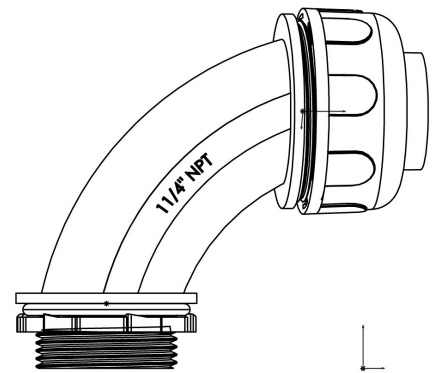
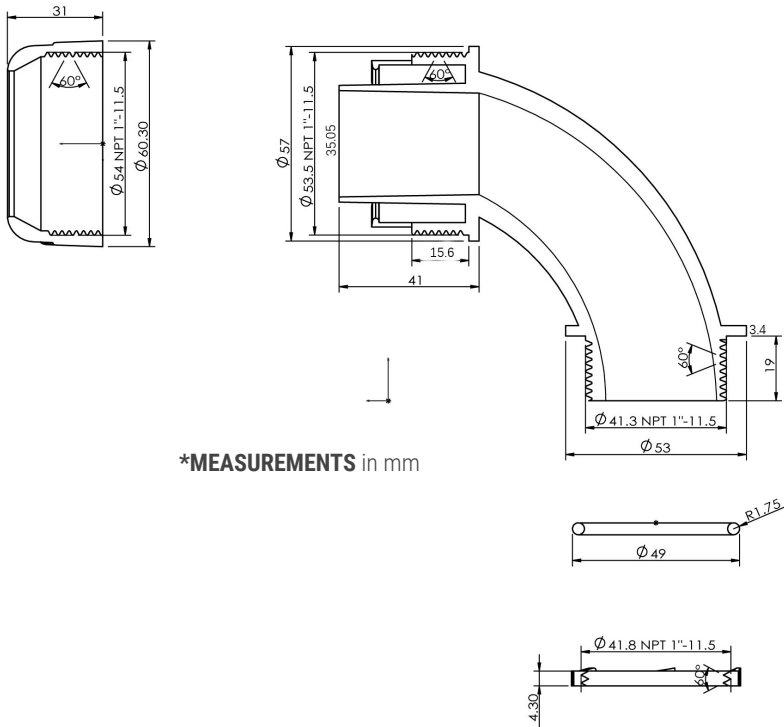
- Non-metallic construction offers the maximum flexibility
- Easy assembly avoids removal of compression nut

## MATERIAL

- Body: Nylon
- Cover: Nylon
- O ring: Rubber
- Locknut: Steel

## PACKAGING

- Weight: \_\_\_\_\_ 63 g
- Inner: \_\_\_\_\_ 2
- Master: \_\_\_\_\_ 20
- UPC Number: \_\_\_\_\_ 837654109748



## ELECTRICAL FITTINGS



400 MARTIN LUTHER KING JR WAY, BRIDGETON, NJ 08302  
PHONE : (718).338.1851 FAX : (718).228.1851  
orders@ammoelectric.com

[www.ammoelectric.com](http://www.ammoelectric.com)