



CATEGORY  
ELECTRICAL  
FITTINGS

AMMO ITEM #

ARBNSLT90-200

Company: \_\_\_\_\_  
Job: \_\_\_\_\_ #Item: \_\_\_\_\_  
Notes: \_\_\_\_\_

# 2" 90° Black Nylon Liquidtight Connector



### APPLICATION

Used for conduit size from 3/8" to 2"

### FEATURES

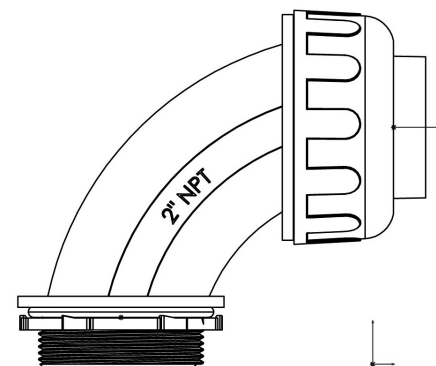
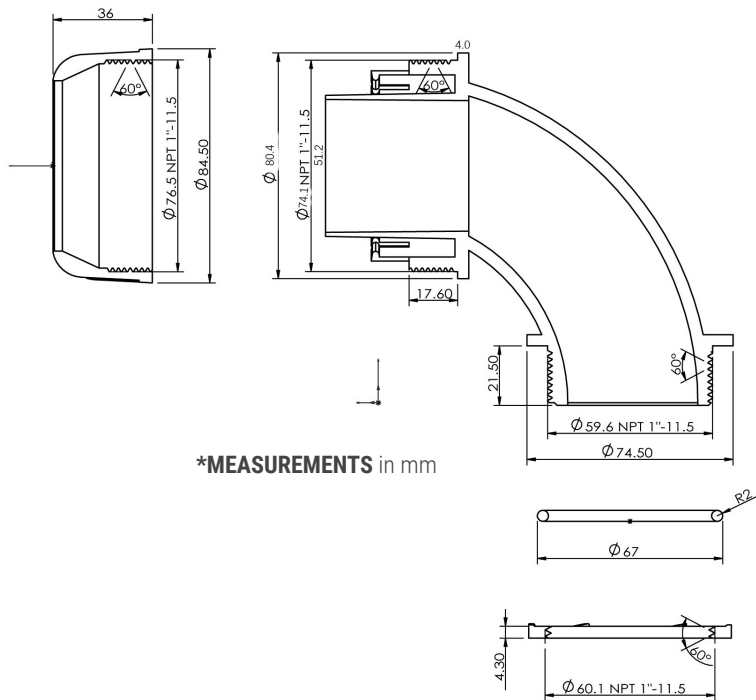
- Non-metallic construction offers the maximum flexibility
- Easy assembly avoids removal of compression nut

### MATERIAL

- Body: Nylon
- Cover: Nylon
- O ring: Rubber
- Locknut: Steel

### PACKAGING

- Weight: \_\_\_\_\_ 145 g
- Inner: \_\_\_\_\_ 1
- Master: \_\_\_\_\_ 10
- UPC Number: \_\_\_\_\_ 837654109762



## ELECTRICAL FITTINGS



400 MARTIN LUTHER KING JR WAY, BRIDGETON, NJ 08302  
PHONE : (718).338.1851 FAX : (718).228.1851  
orders@ammoelectric.com

www.ammoelectric.com