



CATEGORY
**ELECTRICAL
 FITTINGS**

AMMO ITEM #

ARBX-38

Company: _____
 Job: _____ #Item: _____
 Notes: _____

Connectors BX



APPLICATIONS

- Indoor use only
- In a dry location

FEATURES

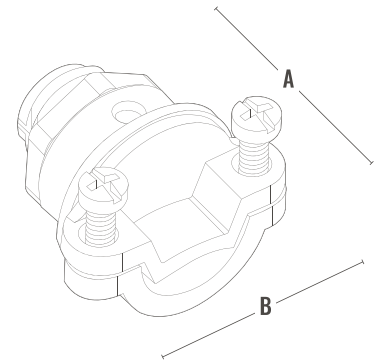
- Used to connect nonmetallic cable, AC/MC or FMC to 1/4" knockout
- Fits 1/4" knockouts with flats, such as used in lighting applications

MATERIAL

- Body: Zinc
- Lock Nut: Zinc
- Strap: Zinc
- Screw: Zinc plated steel

CERTIFICATIONS

- UL File: No.E307843
- UL-514B
- CSA - C22.2 18.3-12



AMMO#	SIZE	A (in)	B (in)	WEIGHT (g)	INNER	MASTER	UPC
ARBX-38	3/8"	1.11	1.19	27.0	50	500	8376540862099

ELECTRICAL FITTINGS



400 MARTIN LUTHER KING JR WAY, BRIDGETON, NJ 08302
 PHONE : (718).338.1851 FAX : (718).228.1851
 orders@ammoelectric.com

www.ammoelectric.com