



CATEGORY
CONDUIT BODIES

AMMO ITEM #

ARC 50CF-400CF

Company: _____
 Job: _____ #Item: _____
 Notes: _____

Threaded Conduit Bodies With Cover and Gasket C Type



AMMO#	SIZE	A	B	C	WEIGHT (g)	PKG	UPC
ARC-50CF	1/2"	4.720	1.370	1.335	113	50	837654072615
ARC-75CF	3/4"	5.570	1.625	1.540	156	50	837654072622
ARC-100CF	1"	6.460	1.900	1.740	216	25	837654072639
ARC-125CF	1-1/4"	8.528	2.770	2.490	488	10	837654072646
ARC-150CF	1-1/2"	8.528	2.770	2.490	490	10	837654072653
ARC-200CF	2"	10.831	3.335	3.100	895	10	837654072660
ARC-250CF	2-1/2"	13.50	4.060	4.450	1870	1	837654072677
ARC-300CF	3"	13.50	4.685	4.450	2004	1	837654072684
ARC-350CF	3-1/2"	15.937	5.450	5.500	3799	1	837654074749
ARC-400CF	4"	15.937	5.450	5.500	3599	1	837654072608

APPLICATIONS

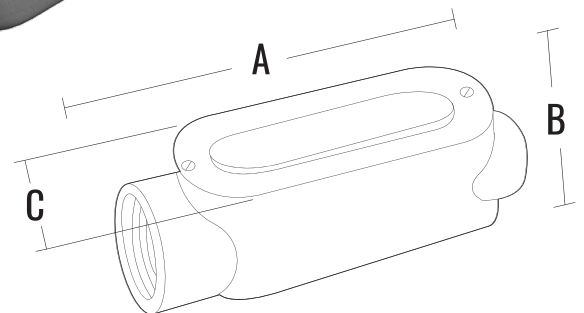
Provides access to conductors for pulling, splicing and maintenance

FEATURES

- Threaded T type with cover and gasket
- NPT tapered hubs
- Suitable for use in concrete
- Suitable for use in wet locations

MATERIALS

- Copper: free aluminum die cast
- Cover: Stamped steel
- Gasket: Neoprene rubber



CONDUIT BODIES



400 MARTIN LUTHER KING JR WAY, BRIDGETON, NJ 08302
 PHONE : (718).338.1851 FAX : (718).228.1851
 orders@ammoelectric.com

www.ammoelectric.com